

TRANstec®



POWER STEERING KITS FOR CARS AND LIGHT COMMERCIAL VEHICLES

- RACK & PINION KITS
- PUMP SEAL KITS
- GEAR SEAL KITS
- CONTROL VALVE KITS
- POWER CYLINDER SEAL KITS
- PISTON ROD END MOUNTING KITS
- HEAVY DUTY STEERING KITS
- STEERING COMPONENTS
- NON U.S. KIT APPLICATIONS



TRANstec®

Power Steering Kits

TransTec® Power Steering Kits are produced by CORTECO, a division of Freudenberg-NOK. They contain the highest quality seals available, and our Quality Assurance and Engineering staffs ensure that the kits contain the correct components for every application. The TransTec® line includes kits for rebuilding rack and pinion units, power steering pumps and gears, for both domestic and import applications. We're confident you'll find the TransTec® line includes the most extensive model coverage available in the market. In addition, our emphasis on developing a line of kits for heavy-duty truck applications has resulted in the most complete line of heavy duty truck kits available.

About CORTECO...

Corteco was formed in 2001 to unite all the individual aftermarket businesses of Freudenberg-NOK under one umbrella. Drawing upon the global resources of the Freudenberg-NOK companies worldwide, CORTECO products benefit by having the same OEM quality, design and materials in the aftermarket. Some of the Freudenberg-NOK logos known around the world are IPC, NOK, FN, and CFW; your assurance of the highest quality and technically progressive products available in the market today.

Despite the large size of the company, the individual attention we give our customers is not compromised. Our Power Steering Product Group is totally dedicated to the power steering market. We have experienced specialists whose sole responsibilities are the sales, marketing, and technical functions of the power steering market. So when you rebuild with TransTec® power steering kits, you benefit from the resources of the world's largest producer of seals, yet receive the personal customer service level you expect.

Although every precaution has been taken to assure the utmost in accuracy throughout this catalog, we are not responsible for errors or omissions. We reserve the right to make running modifications on individual components without prior notice in an effort to provide the very latest in replacement parts while maintaining the highest quality possible.

The items described in this Catalog are hereby offered for sale by CORTECO. This offer and its acceptance are governed by the CORTECO Terms and Conditions of Sale.

INQUIRIES AND SUGGESTIONS ARE ALWAYS WELCOME

TOLL-FREE ORDER HOTLINE

Phone 800-852-0340

Fax 419-499-6122



Look for the **IPC, NOK, FN**
and **CFW** symbols on our seals -
it's your assurance of quality.

Copyright 2009 Freudenberg-NOK General Partnership.
All rights reserved.

LIMITED WARRANTY

CORTECO warrants that the Products will be free from defects in workmanship and materials for one (1) year from the date of purchase. **THE FOREGOING WARRANTY IS EXCLUSIVE AND IN LIEU OF ALL OTHER WARRANTIES OR REPRESENTATIONS, EXPRESS OR IMPLIED, ARISING BY LAW OR CUSTOM, INCLUDING IMPLIED WARRANTIES OF MERCHANTABILITY AND FITNESS FOR A PARTICULAR PURPOSE, SAID IMPLIED WARRANTIES BEING HEREBY EXPRESSLY DISCLAIMED.** Purchaser's sole and exclusive remedy for a valid warranty claim is replacement of the Product. This remedy does not include the cost of installation, removal, dismantling, or reinstallation. CORTECO shall have no liability to the extent Products are or have been modified or subject to misuse, abuse or improper storage, installation or maintenance. No returns will be accepted without prior approval and authorization. CORTECO SHALL NOT BE LIABLE FOR ANY SPECIAL, INCIDENTAL, INDIRECT, CONSEQUENTIAL, PUNITIVE, OR EXEMPLARY DAMAGES OF ANY KIND.

Contents

Abbreviations	2
Rack & Pinion Seal Kits.....	3
Pump Seal Kits	24
Gear Seal Kits.....	54
Control Valve Seal Kits	69
Heavy-Duty Steering Kits	70
Miscellaneous Steering Parts.....	74
Non U.S. Market	78
TransTec® Kit Numerical Listing	82

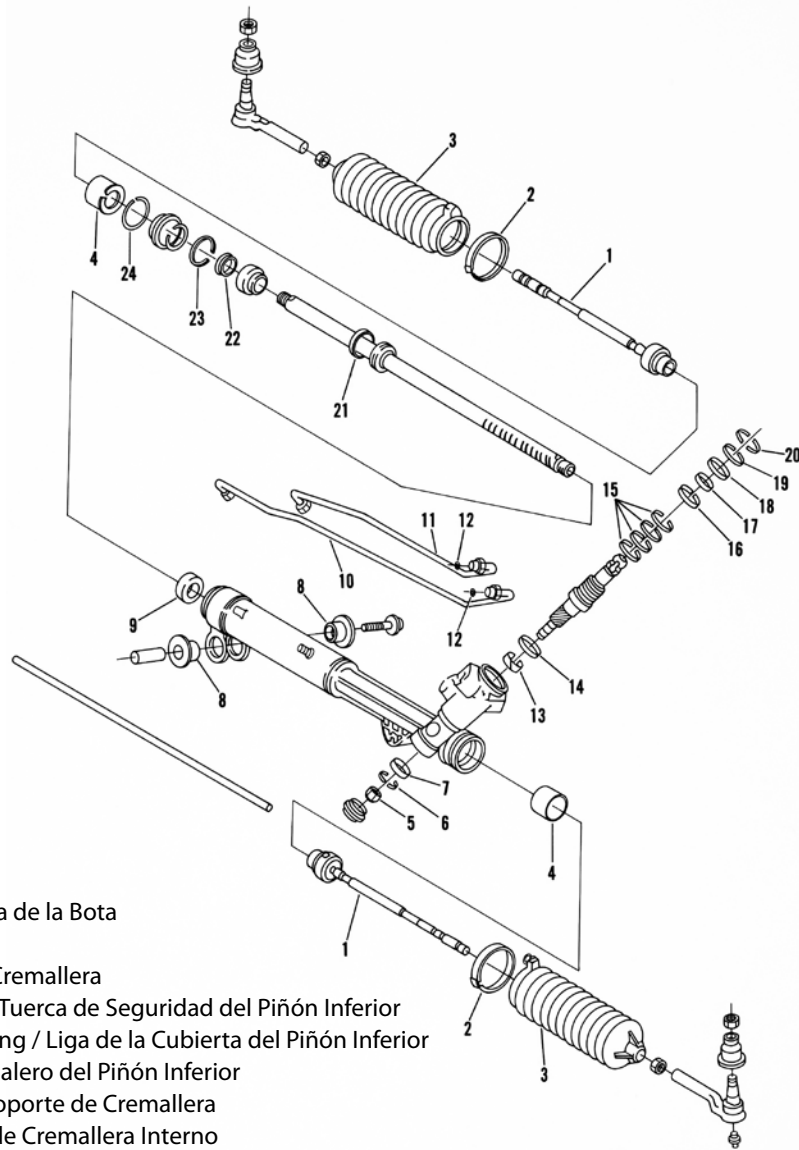
Abbreviations

Please note that many of the kits in this catalog for import applications, especially for Japanese models, often result in mid-year production changes. A general year coverage is listed in the Year column. If no mid-year production dates are listed, then the kit listed covers the entire model year.

If mid-year production changes occurred, the actual production date will be listed in the Description column in parentheses after the description (e.g. 3/86-9/89). If mid-year production dates are listed, it is important to check the vehicle's actual production date to determine the correct kit application. This information is normally found on a plate either under the vehicle hood, or inside the driver side door.

2 W/S	Two Wheel Steering	Dirección de Dos Ruedas
4 W/S	Four Wheel Steering	Dirección de Cuatro Ruedas
2 WD	Two Wheel Drive	Tracción de Dos Ruedas
4 WD	Four Wheel Drive	Tracción de Cuatro Ruedas
CB	Compact Bushing	Buje de Compresión
CVL	Control Valve Listing	Listado de la Válvula de Control
CYL	Cylinder	Cilindro
DOHC	Dual Overhead Cam	Doble Arbol de Levas en Culata
EFI	Electronic Fuel Injection	Inyección de Combustible Electrónica
FGAWR	Front Gross Axle Weight Rating	Clasificación del Peso Bruto sobre el Eje Delantero
FWD	Front Wheel Drive	Tracción Delantera
HD	Heavy Duty	Equipo Pesado
HT	Hard Top	Cubierta Dura
N/A	Not Available	No Disponible
RHD	Right Hand Drive	Dirección Lado Derecho
RWD	Rear Wheel Drive	Dirección Trasera
SOHC	Single Overhead Cam	Arbol de Levas Sencillo
SW	Station Wagon	Vagoneta
TC	Transverse Compact	Compacto Transversal

Rack & Pinion Seal Kits



- 1 Tie Rod / Terminal
- 2 Boot Clamp / Abrazadera de la Bota
- 3 Boots / Botas
- 4 Rack Bushing / Buje de Cremallera
- 5 Lower Pinion Lock Nut / Tuerca de Seguridad del Piñón Inferior
- 6 Lower Pinion Cover O-Ring / Liga de la Cubierta del Piñón Inferior
- 7 Lower Pinion Bearing / Balero del Piñón Inferior
- 8 Rack Mount Bushing / Soporte de Cremallera
- 9 Inner Rack Seal / Retén de Cremallera Interno
- 10 Transfer Line / Línea de Transferencia
- 11 Transfer Line / Línea de Transferencia
- 12 Transfer Line O-Ring / Liga de Línea de Transferencia
- 13 Lower Pinion Bushing / Buje Inferior del Piñón
- 14 Lower Pinion Seal / Retén Inferior del Piñón
- 15 Control Value Teflon / Teflón de la Válvula de Control
- 16 Upper Pinion Bearing / Balero Superior del Piñón
- 17 Upper Pinion Seal / Retén Superior del Piñón
- 18 Upper Pinion Dust Seal / Guardapolvo Superior del Piñón
- 19 Upper Pinion Washer / Arandela Superior del Piñón
- 20 Upper Pinion Retainer / Candado Superior del Piñón
- 21 Piston Teflon / Teflón del Pistón
- 22 Bulkhead - Outer Rack Seal / Candado de Retén Exterior
- 23 Bulkhead - O-Ring / Candada - Liga
- 24 Bulkhead - O-Ring / Candada - Liga

Make	Model	Year	Description	TransTec® No.	
Acura	CL	2001-2003	2-door	8495	
		1999	3.0L	8407	
		1998-1999	2.3L	8407	
		1997	2.2L & 3.0L	8407	
	Integra	1998-2001			8120
		1994-1997			8057
		1990-1993	All 3-Door & 4-Door		8353
		1986-1989			8147
	Legend	1991-1995			8252
		1986-1990			8201
	MDX	2004-2005	V6 3.5L		8501
		2001-2004	5-door		8501
	RL	1996-2004	3.5L		8071
	RSX	2002-2005			8549
	RSX-L	2002-2005			8549
	RSX-S	2002-2005			8550
	TL	2004-2007	3.2L		8177
2002		Type S		8495	
1999-2003		3.2L		8494	
1996-1998		3.2L		8071	
1995-1998		2.5L		8373	
TSX	2004-2007	4 Cyl., 2.4L		8606	
Vigor	1992-1994			8065	
American Motors	Alliance, Encore (Renault)	1983-1987		8070	
Audi	4000	1980-1990		8167	
	5000	1984-1988		8169	
	90	1993-1995		8466	
	90 Quattro	1995		8466	
	A4	2001-2003			8554
		1997-2000	4 Cyl. With ZF Rack		8534
		1996-2000	6 Cyl. with ZF Rack		8534
		1998	With Koyo Rack		8535
	A4 Quattro	2001-2003	1.8L (38mm Bore)		8553
	A4 Quattro	2001-2003	39MM Bore		8554
	A6	2000	With servotronic		8628
		1999	With center take off		8646
Cabriolet	1993-1994, 1996-1997			8466	
BMW	3 Series	1992-1994		8293	
		2000-2001	With ZF Rack	8712	
	318	1995-1999			8701
		1983-1985	With 2 Piece Aluminum Housing		8198
	323	1998-1999			8701
		1995-1999			8701
	325	1984-1990	With 1 Piece Aluminum Housing		8195
1995-1999				8701	
328	1995-1999			8701	

Make	Model	Year	Description	TransTec® No.
BMW	528	1997-2000	Without Servotronic	8623
	Z3	1996-1998		8514
Buick	Century	1998-1999	Limited Model	8426
		1998-1999	Custom Model	8412
		1997	3.1m Engine with Magnasteer	8426
		1997	3.1m engine w/out Magnasteer	8412
		1986-1993	Without Sport Suspension	8058
		1986-1993	With Sport Suspension	8063
		1982-1985		8058
	Electra	1992-1996	Nonvariable Steer	8412
		1985-1991		8058
	Lesabre	2000-2005	Without Magnasteer	8412
		1996-2003	With Magnasteer Steer Variable	8426
		1992-2005	Nonvariable Steer	8412
		1986-1991		8058
	Park Avenue	2000-2005	Without Magnasteer	8412
		1996-2003	With Magnetic Steer Variable	8426
		1992-2005	Nonvariable Steer	8412
	Reatta	1986-1991	All (FWD)	8058
	Regal	1988-1991		8058
	Riviera	1995-1999		8426
		1986-1991	All (FWD)	8058
Skyhawk	1987-1993		8199	
	1985-1986		8062	
	1982-1984		8058	
	1982-1984	Without H.D. Suspension	8047	
	1982-1984	With H.D. Suspension	8062	
	1980-1981		8042	
Somerset	1987-1991		8199	
	1985-1986		8062	
Cadillac	Allante	1993		8086
		1987-1992	Steel Valve Housing	8063
		1987-1992	Aluminum Valve Housing	8058
	Cimarron	1987-1988		8199
		1985-1986		8062
		1982-1984	With H.D. Suspension	8062
		1982-1984	Without H.D. Suspension	8047
	CTS	2003-2004		8718
	Deville, Fleetwood	1985-1993	Aluminum Valve Housing (FWD)	8058
		1985-1993	Steel Valve Housing (FWD)	8063
	Eldorado, Seville, 650 Deville, Concours	1996-1998	With Magnasteer Variable	8426
		1993-1995	All (FWD)	8086
		1986-1992	Steel Valve Housing	8063
		1986-1992	Aluminum Valve Housing (FWD)	8058
	Escalade	2007-2008	1500	8704
SRX	2004-2007		8730	

Make	Model	Year	Description	TransTec® No.
Chevrolet	Beretta, Corsica	1987-1996		8199
	Camaro	2000-2003	With F41, Y87 suspension & 38 mm O.D. bulkhead seal	8533
		1998-2003	With FE2, FE4, FE7 suspension codes	8412
		1993-1997		8412
	Cavalier	1995-2003		8412
		1992-1994	With Steel Housing	8230
		1987-1991		8199
		1985-1986		8062
		1982-1984	With H.D. Suspension	8062
		1982-1984	Without H.D. Suspension	8047
	Celebrity, Citation	1988-1991		8058
		1983-1990	With H.D. Suspension	8063
		1983-1990	Without H.D. Suspension	8058
		1982		8058
		1980-1981		8042
	Corvette	1984-1996		8069
	Impala	2000-2003	With FE1 suspension code	8412
		2000-2003	With FE2, 7B3 suspension & 38 mm O.D. bulkhead seal	8533
	Lumina	1994-2003		8412
Malibu	2006-2007		8695	
	2004-2005		8412	
	1997-2003		8412	
Monte Carlo	1995-2003		8412	
Nova	1985-1988	All, Import (Fwd)	8142	
Chevrolet Truck/Van/SUV	Avalanche	2007	1500	8704
	Colorado	2005	4WD & 2WD With (Z71)	8685
	Colorado	2004-2005	2WD Except (Z71)	8674
	Lumina Van	1990-1999		8412
	Silverado	2007-2008	1500	8704
	Silverado 1500	1999-2006	2WD	8154
	Spectrum	1985-1989		8150
	Suburban	2007-2008	1500	8704
	Tahoe	2007-2008	1500	8704
	Trailblazer	2002-2006	EXT	8518
		2002-2003		8518
	Venture	1997-2005	2WD	8412
	Express/ Savanna Van	2003-2006	1500 (2&4WD)	8518
2003-2006		2500 (2WD, 7300lb. GVW)	8518	
2003-2006		250 (4WD)	8518	
Chrysler	300C	2005-2007		8720
	300M	1999-2004		8106
	Cirrus	1995-1998		8174
	Concorde	1998-2004		8106
		1993-1997		8291
	E Class, Lebaron, Lebaron GTS, Town & Country	1986-1995	With Plastic Bulkhead	8174
		1986-1995	Without Plastic Bulkhead	8051
1982-1985		With Saginaw Gear	8067	

Make	Model	Year	Description	TransTec® No.
Chrysler	E Class, Lebaron, Lebaron GTS, Town & Country	1982-1985	With TRW Gear	8051
	Laser	1990-1992		8188
		1984-1986	With Saginaw Gear	8067
		1984-1986	With TRW Gear	8051
	LHS	1998-2001		8106
		1993-1997		8291
	New Yorker	1993-1995		8291
		1990-1992	With Plastic Bulkhead	8174
		1990-1992	Without Plastic Bulkhead	8051
		1986-1989		8051
		1983-1987	With Saginaw Gear	8067
		1983-1987	With TRW Gear	8051
	Pacifica	2004-2006		8649
	PT Cruiser	2000-2003		8481
Sebring	2001-2005	V6 3.0L	8213	
	1996-1999	Convertible	8174	
	1995-1999	Coupe	8356	
Chrysler Truck/Van/SUV	Town & Country Van	2000-2004		8509
		1996-1998		8174
		1990-1995	With plastic bulkhead	8174
		1990-1995	Without plastic bulkhead	8051
		1990-1995	Without Plastic Bulkhead	8174
		2005-2007		8717
	2008		8732	
	Voyager	2000-2004		8509
Dodge	Aries, Daytona, Lancer, Lancer 400, Lancer 600, Shadow	1981-1995	With Saginaw Gear	8067
		1981-1995	With TRW Gear, With Plastic Bulkhead	8174
		1981-1995	With TRW Gear, Without Plastic Bulkhead	8051
	Avenger	1995-1997		8356
	Caliber	2007-2008		8741
	Charger	2005-2007		8720
	Colt	1993-1995		8341
		1988-1992		8186
		1985-1987	Colt Vista Wagon (4wd)	8153
		1984-1987	Colt, Colt Vista (Except 4WD)	8152
	Dynasty	1988-1993	FWD With Plastic Bulkhead	8174
		1988-1993	Without Plastic Bulkhead	8051
	Intrepid	1998-2004		8106
		1993-1997		8291
	Magnum	2005-2007		8720
	Monaco	1990-1991		8206
	Neon	2004		8651
1995-2003			8174	
2000			8481	
Omni, Charger, Rampage, Shelby, 024	1987-1991	With Plastic Bulkhead	8174	

Make	Model	Year	Description	TransTec® No.	
Dodge	Omni, Charger, Rampage, Shelby, 024	1987-1991	Without Plastic Bulkhead	8051	
		1983-1986	With Saginaw Gear	8067	
		1978-1982		8042	
	Spirit	1989-1991	With Plastic Bulkhead	8174	
		1989-1991	Without Plastic Bulkhead	8051	
	Stealth	1991-1994		8187	
	Stratus	2001-2005	V6 3.0L	8213	
		1995-1998		8174	
	Dodge Truck/ Van/SUV	1500 Series	2002-2003		8532
		Caravan	2008		8732
2005-2007				8717	
2003-2004				8509	
2000-2002				8509	
Caravan, Mini Ram		1996-1998		8174	
		1984-1995	With Plastic Bulkhead	8174	
		1984-1995	Without Plastic Bulkhead	8051	
Dakota		2005-2007		8691	
		2000-2002	4WD	8480	
		1997-2002	TRW unit, 2WD	8414	
		1997-1998	TRW Unit	8414	
		1987-1996	With 2wd, With Plastic Bulkhead	8174	
		1987-1996	With 2wd, Without Plastic Bulkhead	8051	
Durango		2004-2006		8648	
	2000-2002	4WD	8480		
Ram 1500	2004-2005	30MM Shaft Seal	8673		
	2004-2005		8532		
Eagle	Premier	1988-1990		8206	
	Summit	1995	Wagon	8417	
		1993-1995		8341	
		1991-1992		8186	
	Talon	1995-1997		8356	
		1990-1993		8188	
Vision	1993-1998		8291		
Ford	Aspire	1994-1997		8039	
	Contour	1998-2000		8519	
		1995-1997		8382	
	Cougar	1999-2002		8519	
	Crown Victoria / Grand Marquis	2003-2004		8635	
	Escape	2001-2003	2WD & 4WD	8541	
	Escort ZX2	1998-2001		8171	
	Escort, EXP	1997-2001	2.0L Engine	8171	
		1991-1996	With 1.9 Liter Engine, Ford Gear	8171	
		1987-1990	With Ford Gear	8108	
1987-1990		With TRW Gear	8050		
1981-1986			8050		
Fairmont, Futura	1980-1983	With Ford Gear	8424		
	1980-1983	With TRW Gear	8049		

Make	Model	Year	Description	TransTec® No.
Ford	Fairmont, Futura	1979		8424
		1978	With Ford Gear	8424
		1978	With TRW Gear	8049
	Five Hundred	2005-2007		8731
	Focus	2001-2005		8104
		2000-2001		8104
	Freestyle	2005-2007		8731
	Granada	1981-1982		8424
	Ltd, Ltd Wagon	1983-1987		8424
	Mustang	2005-2007	Except GT 500	8688
		1996-2002	8 Rib Housing	8468
		1989-1995		8095
		1986 -1988		8424
		1979-1985	With Ford Gear	8424
		1979-1985	With TRW Gear	8049
		1977-1978		8049
	Mustang, Grande, Mach 1	1971-1976		8059
	Pinto	1977-1980		8049
		1975-1976		8059
	Probe	1993-1997	TRW Units Only	8292
		1988-1992	Without Turbo, Japan-Made Units Only	8197
		1988-1992	With Turbo, Japan-Made Units Only	8263
		1988-1992	U.S.-Made Units Only	8328
	Taurus	2003-2007		8670
		2001-2003	With Screw-in Bulkhead	8521
		2000-2002		8521
		1996 -1999	With Screw-in Bulkhead except SHO	8105
		1996-1999	With Retainer-Type Bulkhead, Except SHO	8420
		1990-1992	With Variable Assist	8228
		1986-1995	Without Variable Assist	8425
	Taurus SHO	1996-1999	ZF	8079
	Tempo	1987-1994	With Ford Gear	8108
1987-1994		With TRW Gear	8050	
1984-1986			8050	
Thunderbird	2003-2005		8680	
	1996-1997		8475	
	1989-1995		8095	
	1980-1988		8424	
Ford Truck/ Van/SUV	Aerostar	1986-1997		8095
	Expedition	2003-2006		8538
	Explorer	2006-2008		8734
		1998-2005	4-door	8515
		1998-2002	2-door	8448
		1995-1999		8334
F150	2004-2007	All except Heritage	8538	
	2004	2WD	8538	

Make	Model	Year	Description	TransTec® No.
Ford Truck/ Van/SUV	Ranger	2001-2005	All	8515
		1998-2002	All	8448
	Windstar	2001-2003	All	8521
		1998-2000	All	8105
1995-1997		All	8335	
Geo	Metro	1995-1997		8087
	Prizm	1993-2002	With 2-Piece Crimped Housing	8454
		1993-1997	With 2-Piece Riveted Housing (1/93-12/96)	8212
		1989-1992		8142
	Storm	1992-1993		8289
1990-1993		GSI Models	8289	
1990-1991		Base Models	8288	
Tracker	1999-2003		8578	
GMC Truck/ Van/SUV	Canyon	2005	4WD	8685
	Envoy	2002-2006	XL	8518
		2002-2003		8518
	Sierra	2007-2008	1500	8704
	Sierra 1500	1999-2006	2WD	8154
Yukon	2007-2008	1500	8704	
Honda	Accord	2003-2005	V6	8653
		1998-2007	2 Door & 4 Door 4 CYL	8177
		1998-2002	V6	8479
		1995-1997	V6 Sedan & 4-Door	8407
		1994-1997	2-Door 4 Cyl.	8407
		1990-1993	2-Door, 4-Door, & Wagon	8204
		1990-1993	Valve Body Kit Only ("B" Kit)	8287
		1988-1989	Coupe	8147
		1986-1989	All 3-Door & 4-Door Models	8147
		1982-1985		8145
	1978-1981		8144	
	Civic	2006-2007		8692
		2001-2005	2 & 4 Door	8548
		1998-2000		8120
		1996-1997		8057
		1992-1995		8415
		1988-1991	3-Door, 4-Door, Wagon, & 4wd	8201
		1984-1987		8147
	CR-V	2002-2006		8550
		1998-2001		8177
		1997		8407
	Del Sol	1996-1997		8057
		1993-1995	All Except V-Tec	8415
Element	2004-2007		8550	
	2003		8550	
Prelude	1999-2001		8146	
	1997-1998		8048	

Make	Model	Year	Description	TransTec® No.
Honda	Prelude	1992-1996		8242
		1988-1991	Without 4-Wheel Steering	8201
		1988-1991	With 4-Wheel Steering	8202
		1983-1987		8145
		1979-1982		8144
Honda Truck/ Van/SUV	CRV	2007		8727
	Odyssey	2005-2007		8723
		1999-2004		8560
		1998		8177
		1995-1997		8407
	Passport	2001-2002		8737
		1998-2000		8387
Pilot	2003-2007		8501	
Ridgeline	2006-2007		8501	
Hyundai	Accent	1995-2004		8073
	Elantra	2005-2006		8612
		2001-2004	Except upper pinion crimped ring design	8612
		1996-2000		8075
		1993-1995	1.6L (6/92-8/95)	8006
		1992	1.6L	8186
		1991-1995	1.8L (4/91-8/95)	8006
	Excel	1986-1994		8186
	Scoupe	1990-1992	(Japan-Made Units Only)	8186
	Sonata	2006-2007		8719
		2004-2005	4 Cyl., 2.4L & V6 2.7L	8582
		1999-2003		8582
		1994-1998		8474
		1989-1993	Mando	8207
1992		8186		
Tiburon	2003-2007		8729	
	1997-2001		8075	
XG300	2001		8582	
XG350	2002-2004		8582	
Hyundai Truck/Van/ SUV	Sante Fe	2001-2006		8626
	Tucson	2005-2007		8708
Infiniti	G20	1999		8446
		1991-1996	(7/90-7/96)	8090
	G35	2005-2007		8696
	I30	1995-1999	(3/95-6/97)	8473
	J30	1992-1997	With 2 Wheel Steering	8422
	M30	1989-1991	(8/89-12-91)	8220
	Q45	1989-2000	(8/89-01/01)	8422
	QX4	1996-2000		8434
QX56	2004-2005		8652	

Make	Model	Year	Description	TransTec® No.
Isuzu	I-Mark	1985-1989		8150
	Impulse	1990-1992		8289
		1983-1989		8150
	Oasis	1998-1999		8177
		1996-1997		8407
Stylus	1990-1993		8289	
Isuzu Truck/ Van/SUV	Axiom	2002-2004		8737
	Rodeo	2001-2004		8737
		1998-2000		8387
Rodeo Sport	2001-2003		8737	
Jaguar	S-Type	2000-2001	Up to VIN #L86901	8680
	XJ12	1981-1987	VIN #314061 & up, with Teflon main seals	8441
		1978-1981	Up to VIN #314060, with Nitrile main seals	8439
	XJ6	1988-1994		8440
		1981-1987	VIN #314061 & up, with Teflon main seals	8441
		1978-1981	Applies up to VIN #314060, with Nitrile main seals	8439
XJS	1981-1994	VIN #314061 & up, with Teflon main seals	8441	
	1978-1981	Up to VIN #314060, with Nitrile main seals	8439	
XK8	1999-2002		8559	
Jeep Truck/ Van/SUV	Compass	2007-2008		8741
	Grand Cherokee	2005-2006		8677
	Liberty	2006	V6 3.7L	8687
		2002-2004		8601
Patriot	2007-2008		8741	
Kia	Optima	2001-2005		8582
	Rio	2000-2005		8689
	Sephia	1997-2001		8639
		1994-1996		8125
Spectra	2002-2004	4Cyl. 1.8L	8690	
Kia Truck/ Van/SUV	Sedona	2002-2005		8613
	Sorento EX	2003-2006		8728
	Sportage	2005-2006		8708
Lexus	ES250	1989-1991	(6/89-7/91)	8438
	ES300	2002		8556
		1997-2001		8408
		1995	All (9/94-4/95)	8470
		1991-1994	All (7/91-9/94)	8411
	ES350	2007-2008		8682
	GS300	1998-2003		8082
		1993-1995	All (1/93-5/95)	8025
	GS400	1998-2000		8082
	GS430	1998-2003		8082
	IS300	2001-2005		8540
	LS400	1989-2000	(5/89-8/00)	8217
	LS430	2001-2006		8539
	LX470	2003-2006		8602
1998-2002			8306	

Make	Model	Year	Description	TransTec® No.
Lexus	RX300	1998-2003		8408
	RX330	2004-2007		8603
	SC300	1991-2000		8217
	SC400	1991-2000		8217
	SC430	2001-2004		8082
Lexus Truck/ SUV/Van	GX470	2003-2005	V8 4.7L	8600
Lincoln	Continental	1996-2002		8523
		1988-1995		8173
		1983-1987		8424
	LS	2003-2006	ZF	8680
		2000-2007	Ford Corporate	8520
	Mark III, Mark IV, Mark V, Mark VI	1983-1989		8424
	Mark VII	1989-1995		8095
		1982-1988		8424
Mark VIII	1993-1998		8475	
Town Car	2003-2007	Excludes Limo	8635	
Lincoln Truck/Van/ SUV	Aviator	2003-2005		8680
	Navigator	2003		8538
Mazda	3	2006-2007		8710
		2004-2005		8707
	323	1992-1994	2WD	8285
		1990-1991	2WD & 4WD	8285
		1988-1989		8085
	626	1998-1999		8482
	626	1993-1997	TRW Units Only	8292
		1988-1992	Without Turbo (Japan-Made Units Only)	8197
		1983-1987	Without Turbo	8137
	929	1992-1995	All (with DOHC)	8464
		1990-1991	Sedan (OHC)	8332
		1990-1991	Sedan (DOHC)	8349
		1988-1989		8281
	Mazda 6	2003-2004		8615
	Miata	1999-2004	MX-5	8216
		1996-1997	MX-5	8056
		1990-1995		8290
	Millenia	1995-2002		8465
MX3	1992-1995	1800cc	8210	
	1992-1994	(1600cc)	8348	
MX6	1993-1997		8292	
	1988-1992	With Turbo	8263	
	1988-1992	Without Turbo (Japan-Made Units Only)	8197	
	1983-1987	Without Turbo	8137	
Protege	2001-2003		8608	
	1999		8215	

Make	Model	Year	Description	TransTec® No.
Mazda	Protege	1995-1998	All (2WD)	8455
		1992-1994	All (2WD)	8348
		1990-1991	All (2wd)	8285
	Protege 5	2002-2003		8608
	RX-7	1993-1995		8350
1986-1992			8274	
Mazda Truck/ Van/SUV	B2500, B3000, B4000	1998-1999		8448
	Tribute	2001-2004	2WD & 4WD	8541
	MPV Van	2000-2004		8557
1996-1998		2WD & 4WD	8126	
1989-1995		(2wd And 4wd)	8283	
Mercedes-Benz	E300 Turbo Diesel	1996-1998	Turbo Diesel All	8483
	E320	1996-1997		8483
	E420	1997		8483
Mercedes-Benz Truck/ Van/SUV	ML320	1998-2001		8629
	ML430	1998-2001		8629
	Sprinter	1996-1999	5/95 - 12/99	9003
Mercury	Bobcat	1977-1980		8049
		1975-1976		8059
	Capri	1991-1994		8085
		1979-1988	With Ford Gear	8424
		1979-1988	With TRW Gear	8049
	Cougar	1998-2001	With screw in bulkhead	8382
		1996-1997		8475
		1989-1995		8095
		1980-1988		8424
	Lynx, LN7	1987	With Ford Gear	8108
		1987	With TRW Gear	8050
		1981-1986		8050
	Marquis	1983-1987		8424
	Merkur	1985-1988	XR4Ti TRW Cam Design	8436
		1985-1988	XR4Ti	8449
	Montego	2005-2007		8731
	Mystique	1998-2000		8519
		1995-1997		8382
	Sable	1998-1999	With Screw-in Bulkhead, Except SHO	8105
		1996-1997		8420
1990-1992		With Variable Assist	8228	
1986-1995		Without Variable Assist	8425	
Scorpio	1988-1990	With ZF Rack	8449	
Topaz	1987-1994	With Ford Gear	8108	
	1987-1994	With TRW Gear	8050	
	1984-1986		8050	
Tracer	1991-1996	With 1.9 Liter Engine, Ford Gear	8171	
	1991-1992	With 1.8 Liter Engine	8285	
	1987-1989		8085	

Make	Model	Year	Description	TransTec® No.
Mercury	Zephyr	1980-1983	With Ford Gear	8424
		1980-1983	With TRW Gear	8049
		1979		8424
		1978	With Ford Gear	8424
		1978	With TRW Gear	8049
Mercury Truck/Van/SUV	Mountaineer	2006-2008		8734
		1995-1998		8334
	Villager	1999-2002		8275
		1993-1998	Steel & Aluminum Housing	8275
Mini Cooper	Mini	2002-2006		8726
Mitsubishi	3000GT	1990-1998		8187
	Cordia	1984-1987		8152
	Diamante	2000-2002		8410
		1997-1999		8083
		1993-1994	Wagon	8187
		1991-1995	DOHC & SOHC	8187
	Eclipse	2005-2006	2.4L & 3.0L	8638
		2000-2005	2.4L & 3.0L 2WD	8213
		1995-1999	2wd & 4wd	8356
		1992-1993	2wd	8188
		1990-1994	All (5/90-94)	8188
		1989-1993	4wd	8188
		1989-1990	2wd (1989-5/90)	8191
	Eclipse Spyder	2000-2002		8213
		1996-1998		8356
	Galant	2004-2005	L4 2.4L & V6 3.8L	8638
		1998-2003	2.4L & 3.0L 2WD	8213
		1997-1998	2WD (6/96-2/98)	8356
		1993-1996	2WD SOHC 2.4L (2/93-5/96)	8356
		1993-1994	With Eps (2/93-5/94)	8357
		1990-1992	Turbo DOHC, 4wd, 4w/S (6/90-5/92)	8192
		1989-1992	DOHC Without Turbo (6/89-5/92)	8191
		1989-1992	With 4WD (6/89-5/92)	8191
		1988-1993	With DOHC (1/88-2/93)	8193
		1988-1993	With SOHC (1/88-2/93)	8191
		1986-1987	All (1/86-87)	8190
	1985	All (1/85-12/85)	8189	
Galant Sigma	1990-1992	With 3000 V6	8207	
	1987-1989	With 3000 V6 (6/87-5/89)	8190	
Lancer	2003-2006	Evolution	8684	
	2002		8562	
Mirage	1999	(12/98-10/99) 41mm Cylinder Bore	8340	
	1992-1994	With 38.5mm Cylinder Bore (6/92-1994)	8341	
	1992-1994	With 41mm Cylinder Bore (6/92-94)	8340	
	1988-1991	All (4/88-5/92)	8186	
	1986-1988	All (1/86-3/88)	8428	

Make	Model	Year	Description	TransTec® No.
Mitsubishi	Mirage	1985		8153
	Outlander	2003-2005		8643
	Precis	1987-1993		8186
	Tredia	1988 1984-1987		8186 8152
Mitsubishi Truck/Van/SUV	Expo/LRV	1991-1995		8417
	Montero	2001-2003	Except Sport	8511
	Van, Wagon	1987-1990		8185
Nissan	200SX	1995-1998		8027
		1987-1988	All (8/86-3/88)	8117
		1984-1986	All (10/83-7/86)	8116
	240SX	1994-1998	Coupe (2/94-6/98)	8089
		1991-1993	With 4 W/S (7/90-10/93)	8222
		1988-1993	With 2 W/S (7/88-10/93)	8222
	280ZX	1981-1983		8112
	300ZX	1989-1996	With 4w/s (7/89-7/96)	8223
		1989-1996	With 2w/s (2/89-7/96)	8223
		1987-1989	All (9/86-1/89)	8224
		1984-1987	All (7/83-8/86)	8111
	Altima	2002-2005	4 Cyl. 2.5L, 3.5L	8561
		1993-2001	4 CYL	8324
	Axxess	1989-1991	2 WD (1/89-3/92)	8220
		1989-1991	4 WD	8223
	Maxima	2002-2007	3.5L	8561
		1999-2001	4/99 - 6/01	8545
	Maxima (810 & 910)	1994-1998	All (2/94-6/98)	8473
		1989-1994	All (8/88-11/93)	8220
		1987-1988	All (2/86-7/88)	8117
		1985-1986	All (7/84-1/86)	8110
		1981-1984	All (7/80-6/84)	8109
	Murano	2003-2004		8683
	Pulsar	1986-1989	DOHC (1/86-9/89)	8432
		1986-1988	Except DOHC	8139
		1985		8113
		1983-1984		8115
Sentra	1999-2006		8027	
	1991-1994	U.S. Built 1.6L	8027	
	1991-1994	U.S. & Japan built except U/GA16DE	8446	
	1989-1990	(U.S. Built)	8328	
	1986-1990	Except 4wd (1/86-8/90)	8139	
	1986-1990	4wd	8140	
	1984-1986	All (10/83-12/85)	8113	
	1982-1983	All (2/82-9/83)	8115	
Stanza	1990-1992	All (7/89-6/92)	8220	
	1986-1989	All (12/85-6/89)	8117	
	1985-1988	Wagon 2wd (3/85-9/88)	8115	
	1982-1985	Except Wagon (8/81-11/85)	8115	

Make	Model	Year	Description	TransTec® No.
Nissan Truck/ Van/SUV	Armada	2005		8652
	Frontier	2005-2007		8702
	Pathfinder	1995-2004	V6 3.5L	8434
	Quest	2004-2007		8714
		1999-2002		8275
		1992-1998		8275
	Titan	2004-2005		8652
Xterra	2005-2007		8702	
Oldsmobile	98 Regancy	1992-1996		8412
		1985-1991		8058
	Alero	1999-2004		8412
	Aurora	1995-1999		8426
	Calais	1987-1991		8199
		1985-1986		8062
	Cutlass	1997-1999		8412
		1988-1993		8058
	Cutlass Ciera, Omega	1994-1996		8412
		1985-1993	Without sport suspension	8058
		1985-1993	With sport suspension	8063
		1982-1984		8058
		1980-1981		8042
	Cutlass Supreme	1995-1997	With Magnasteer	8426
		1994-1997	Except Magnasteer	8412
		1988-1993		8058
	Delta 88	1986-1992		8058
	Delta Royal 88	1996-1998	With Magnasteer (NV8)	8426
		1993-1999	Except Magnasteer	8412
	Firenza	1987-1988		8199
1985-1986			8062	
1982-1984		Without H.D. Suspension	8047	
1982-1984		With H.D. Suspension	8062	
Intrigue	1998-2000		8426	
LSS	1996-1999	Except Magnasteer	8412	
	1996-1999	With Magnasteer (NV8)	8426	
Toronado	1986-1991	(All Fwd)	8058	
Oldsmobile Truck/Van/ SUV	Bravada	2002-2004		8518
	Silhouette, Silhouette APV	1990-2004	2WD	8412
Plymouth	Breeze	1995-1998		8174
	Caravelle	1986-1987		8051
		1985	With Saginaw Gear	8067
		1985	With TRW Gear	8051
	Horizon, TC3, Turismo, Scamp	1987-1990		8174
1983-1986			8067	
1978-1982			8042	

Make	Model	Year	Description	TransTec® No.
Plymouth	Reliant	1987-1991	With Plastic Bulkhead	8174
		1983-1986	With Saginaw Gear	8067
		1981-1991	Without Plastic Bulkhead	8051
	Sundance, Chrysler Es	1987-1994	With Plastic Bulkhead	8174
		1987-1994	With TRW Gear, Without Plastic Bulkhead	8051
		1987-1994	With Saginaw Gear	8067
Plymouth Truck/Van/SUV	Voyager, Mini Van	1996-1998		8174
		1984-1995	With Plastic Bulkhead	8174
		1984-1995	Without Plastic Bulkhead	8051
Pontiac	6000	1982-1991	With Sport Suspension	8063
		1982-1991	Without Sport Suspension	8058
	Bonneville	2000-2005	Without Magnasteer	8412
		1996-2003	With Magnetic Steer Variable Only	8426
		1992-2005	Nonvariable Steer	8412
		1988-1990	All (Fwd)	8058
		1987-1991		8058
	Firebird	2000-2003	w/ F41, Y87 suspension & 38 mm O.D. bulkhead seal	8533
		1993-1997		8412
	G6	2006-2007		8695
	Grand AM	1999-2005		8412
		1992-1998		8135
		1987-1991		8199
		1985-1986		8062
	Grand Prix	1997-2007	With Magnetic Steer Variable	8426
		1992-1996	Nonvariable Steer	8412
		1988-1991		8058
	GTO	2004		8721
	J2000	1987-1991		8199
		1985-1986		8062
		1982-1984	Without H.D. Suspension	8047
		1982-1984	With H.D. Suspension	8062
	Lemans	1988-1993		8230
Phoenix	1982-1984		8058	
	1980-1981		8042	
Sunbird	1987-1991		8199	
	1985-1986	Without H.D. Suspension	8047	
	1985-1986	With H.D. Suspension	8062	
Sunfire	1995-1998		8412	
Vibe	2003		8551	
Pontiac Truck/Van/SUV	Montana	2004-2005		8412
		1999-2003	2WD	8412
	Trans Sport	1990-2000		8412
Porsche	911	1995-1998	Turbo	8463
	924	1986-1987		8239
	928	1980-1990		8320
	944	1986-1990		8239
	Carrera	1995-1998		8463

Make	Model	Year	Description	TransTec® No.
Renault	Alliance, Encore	1983-1987	Alliance, Encore	8070
Rolls Royce / Bentley		1984 -2002		8491
		1984	Covers up to 1984	8490
Saab	900, 900s, 900 Turbo	1979-1993	900, 900s, 900 Turbo	8118
	9000	1986-1989	9000	8119
	9-5	1999-2005		8506
Saturn	Aura	2007		8695
	L, LS1, LS2, LW1, LW2	2000-2002		8552
	SC, SC1, SC2, SL, SL1, SL2, SW1	1991-2001		8456
Subaru	"L" Series	1982-1985	With 1.8L	8351
	Station Wagon	1987-1992	3-Door, 4-Door	8157
		1985-1986	Except XT	8155
		1981-1984	4-Door HT	8158
	Forester	2005-2007		8700
		1998-2000		8485
	Impreza	2004-2006		8715
		1998-2001		8485
		1995-1997		8347
		1995-1996	4WD	8347
		1993-1995	11/92-6/95	8347
	Legacy	2005-2007		8711
		2000-2004		8526
		1997	Mail Truck (RHD)	8336
		1994 -1996	Mail Truck (RHD)	8240
1990-1998			8347	
Loyale	1990-1994		8157	
LS	1992-1995	4 WD	8080	
SVX	1992-1995	2 WD	8080	
XT Coupe	1985-1991		8196	
Suzuki	Aerio	2003-2004		8636
	Esteem	1995-1997		8445
	Forenza	2004-2007		8725
	Grand Vitara	1998-2003		8149
	Reno	2005-2007		8725
	Swift	1995-1997	With power steering	8087
	Vitara	1999-2002		8633
	XL7	2001-2003		8149
Toyota	Avalon	2005-2007		8556
		2000-2004		8408
		1994-2002	All (9/94-4/02)	8408
	Camry	2007-2008		8682
		2002-2006	L4 2.4L, V6 3.0L & 3.3L	8556
		2000	(8/99-7/00)	8408
		1991-1999	Crimped Housing (1/91-8/99)	8408
		1991-1996	Riveted Housing (6/91-96)	8194
		1987-1991	All (8/86-5/91)	8141

Make	Model	Year	Description	TransTec® No.
Toyota	Camry	1983-1986	All (1/83-7/86)	8133
	Celica	2000-2005		8205
		1994-1999		8452
		1990-1992	Coupe GT, GTS, Liftback (9/89-8/91), Turbo All-Trac, Turbo 4wd	8208
		1988-1989	Turbo All-Trac, Turbo 4wd (10/87-8/89)	8141
		1986-1993	Coupe ST	8143
		1986-1989	Liftback (8/85-7/89)	8143
	Celica	1982-1985	Supra	8130
	Corolla	2002-2007		8551
		1993-2001	With 2-piece crimped housing	8454
		1993-1996	Sedan, Wagon (9/92-6/96 with 2-piece riveted housing)	8212
		1993-1996	With 1-piece housing (6/92-6/96)	8142
		1988-1992	Sedan, Wagon, 4wd Wagon (AE92, 95) (8/87-5/92)	8142
		1988-1991	DX, SR5, Model AE92 (8/87-6/91)	8212
		1988-1991	GTS, Model AE92 (8/87-6/91)	8142
		1987-1988	FX, FX16, GTS (AE82) (9/86-8/88)	8142
		1986-1987	2D, 3D, RWD, Model AE86 (8/85-7/87)	8131
		1984-1987	4DR, FWD w/ gas engine, Model AE82 (8/83-7/87)	8127
		1984-1986	4DR, FWD w/ diesel engine, Model CE80 (8/83-8/85)	8132
		1984-1985	2DR, 3DR, RWD, Model AE86 (8/83-8/85)	8132
		1982-1983	All (8/82-7/83)	8358
	Cressida	1988-1992	All, Model (MX83) (8/88-7/92)	8211
		1985-1988	All, Model (MX7) (8/84-7/88)	8129
	Echo	2000-2004		8604
	Matrix	2002-2004		8551
	MR2	2000-2003	Spyder	8492
		1990-1994	(1/90-9/93)	8246
	Paseo	1991-1997	(4/91-5/97)	8209
	Rav4	2004-2005		8678
		2002-2003		8458
		1996-2001		8458
	Scion TC	2005-2008		8678
	Scion xA, xB	2004-2005		8604
	Solara	2004-2008		8556
		1999-2003	All	8408
	Supra	1994-1997	Liftback	8453
		1989-1993	Non-Turbo (8/88-5/93)	8134
1989-1993		Turbo & Non-Turbo w/Electronic Steering (8/88-5/93)	8217	
1986-1988		All (1/86-8/88)	8134	
Tercel	1994-1998	All, Model (EL53), (9/94-1/98)	8209	
	1991-1994	All, Model (EL42), (9/90-9/94)	8209	
	1989-1990	All, Model (EL31), (8/88-9/90)	8164	
	1983-1988	All, Model (AL2), (8/82-1/88)	8127	

Make	Model	Year	Description	TransTec® No.
Toyota Truck/ Van/SUV	4Runner	2003-2006		8600
		1996-2002		8447
	FJ Cruiser	2007	V6 4.0L	8600
	Highlander	2004-2007	4 Cyl. - 6 Cyl.	8637
		2001-2003		8556
	Landcruiser	2003-2006	V8 4.7L	8602
		1998-2002		8306
	Previa	1990-1997	1/90-7/97	8214
	Sequoia	2001-2005	2WD & 4WD	8221
	Sienna	2003-2008		8603
		1998-2001	(8/97-4/01)	8408
	T100	1992-1998	4 & 6 Cyl. (8/92-7/98)	8194
	Tacoma	2005-2007	4WD & 2WD with Prerunner Package	8679
		2005	V6 & 4 Cyl. 2WD	8642
		1998-2004	2WD	8408
1998-2003		2WD PreRunner w/ 4WD Suspension	8447	
1995-2004		4WD (ALL)	8447	
Tundra	1999-2006		8221	
	Van (2wd & 4wd)	1989	All (8/88-1/90)	8214
		1986-1988	All (8/85-8/88)	8136
Volvo	240, 260	1979-1988	ZF Type 3	8586
		1979-1988	ZF Type 2	8585
		1979-1988	ZF Type 1	8584
	240, 260 Series, DL, GL	1979-1988	Cam III Design	8128
		1975-1989	All With 14 & 19mm Input, Cam I Design	8122
	740, 760	1983-1992	(All Cam I & II)	8128
	740, 760	1983-1992	ZF Rack	8627
	850	1993-1997	SMI Unit	8544
	940, 960	1991-1994	(Cam Design)	8128
	940, 960	1991-1993	ZF Rack	8627
	960 Series	1995-1997	(Cam/TRW Design)	8128
	S40	2000		8631
	S70, V70	1998-2000	SMI Unit	8544
	S80	1999-2004	SMI Design Stand Steering	8657
	S90, V90 Series	1998	(Cam/TRW Design)	8128
V40	2000		8631	
VW	Beetle	1998-2004		8577
	Cabriolet	1996-1997		8466
		1993-1994		8466
		1985-1990		8138
	Corrado	1990-1992	With ZF Rack	8325
Golf	1999-2006		8577	
	1985-1995	With ZF Rack	8325	
	1985-1991	Without ZF Rack	8138	

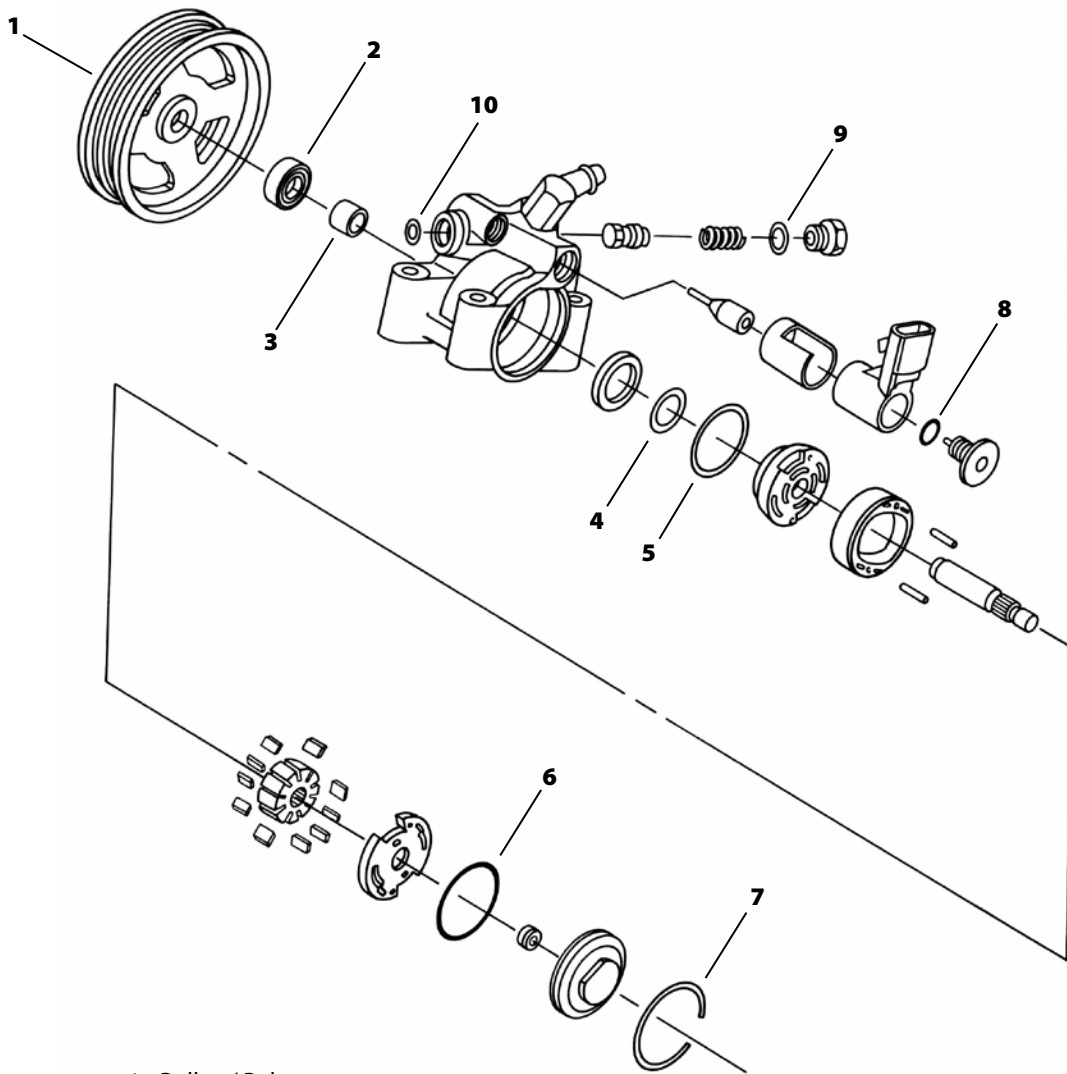
Make	Model	Year	Description	TransTec® No.
VW	Jetta	1999-2005		8577
		1985-1995	With ZF Rack	8325
		1982-1991	Without ZF Rack	8138
	Passat	2001-2005	4cyl & 6cyl with ZF rack	8534
		1998-2005	With KOYO rack	8535
		1998-2000	4 Cyl. & 6 Cyl. With ZF Rack	8534
	Rabbit	1982-1984		8138
	Scirocco	1982-1989		8138
	Vanagon	1085-1992		8294
VW Truck/ Van/SUV	Routan	2009		8732

Pump Seal Kits

Pump Kits



Pump Seal Kits



- 1 Pulley / Polea
- 2 Shaft Seal / Retén de Eje
- 3 Shaft Bushing / Buje del Eje
- 4 Front Pressure Plate Inner O-Ring / Liga Interna del Platillo de Presión Delantera
- 5 Front Pressure Plate Outer O-Ring / Liga Exterior del Platillo de Presión Delantera
- 6 Back Pressure Plate O-Ring / Liga del Platillo de Presión Trasera
- 7 End Plate Retainer / Retén de la Placa de Cierre
- 8 Sensor O-Ring / Liga de Sensor
- 9 Valve Plug Teflon / Teflón del Tapón de Válvula
- 10 Valve Port Teflon / Teflón de la Lumbreira de Válvula

Make	Model	Year	Description	TransTec® No.
Acura	CL	2001 -2002	2-door	8496
		1998 -1999	2.3L	8253
		1997	2.2L	8296
	Integra	1998-2001	3DR, 4DR	8066
		1994-1997		8253
		1986-1993		8166
	Legend	1991-1995	Coupe & Sedan	8253
		1987-1990	Coupe	8163
		1986-1990	Sedan	8163
	MDX	2003-2006	V6 3.5L	8607
2001-2002		5-door	8496	
RL	1991-2004	3.5L	8498	
RSX	2002-2007		8617	
TL	2006-2007	V6 3.2L & 3.5L	8607	
	1999-2003		8496	
	1995-1998		8253	
TSX	2006-2007	L4 2.4L	8617	
	2004-2005	2.4L	8616	
Vigor	1992-1994		8162	
American Motors	Alliance, Encore	1983-1987	1.4L Engine	8100
		1983-1987	1.7 & 2.0L Engine	8096
	Ambassador, Classic, Dpl, Marlin, Matador, Rebel, Rouge	1973-1978		8033
		1972	8 Cyl., Submerged Pump	8033
		1972	8 Cyl., Top Mount Reservoir	8007
		1968-1972	6 Cyl.	8033
		1960- 1971	8 Cyl.	8007
		1960-1961	6 Cyl. With 1-7/8" Spout	8009
		1958-1959	With Roller Pump	8007
	American, AMX, Concord, Eagle, Gremlin, Hornet, Javelin, Rambler, Spirit	1984-1999		8225
		1973-1983		8033
		1972	8 Cyl., Submerged Pump	8033
		1972	8 Cyl., Top Mount Reservoir	8007
		1968-1972	6 Cyl.	8033
		1966-1971	8 Cyl.	8007
		1960-1963	8 Cyl.	8007
1960-1961	6 Cyl. With 1-7/8" Spout	8009		
AMX, Concord, Eagle, Gremlin, Hornet, Javelin, Rambler, Spirit	1984		8225	
Pacer	1975-1980	Pacer	8033	
Audi	80/90	1988-1992	With ZF pump, gas engine	8467
		1988-1989	With ZF pump, diesel engine	8467
	90 Quattro	1993-1997		8469
		1995	Gas Engine	8467
	100/100 Quattro	1992-1994		8469
1989-1991			8226	
200/200 Quattro	1986-1991	With Turbo	8226	

Make	Model	Year	Description	TransTec® No.
Audi	5000	1982-1988	With Radial Pump	8226
	A6/A6 Quattro Wagon	1992-1997		8469
	A8/A8 Quattro	1997-1998		8469
	Cabriolet	1994-1998		8469
	Coupe / Quattro	1990 1991		8469
	V8	1990-1994		8226
BMW	318i	1991-1994	With ZF Pump (11/91-1/94)	8467
	525i	1988-1995	With ZF Pump (1/88-9/91)	8467
	535i	1988-1993	(1/88-2/93)	8467
	735i/735iL	1986-1992	With ZF Pump (8/86-12/92)	8467
	850i/850csi	1993-1995	With Tandem ZF Pump (6/93-3/95)	8467
	M5	1989-1993	6 Cyl., Tandem ZF Pump (9/89-3/93)	8467
Buick	Apollo	1973-1979		8033
	Centurion Estate Wagon Invicta Limited Wildcat	1985-1990	All (RWD)	8225
		1960-1984		8033
	Century	1992-1994	All, CB Series Pump	8241
		1988-1991	CB Series Pump (With 2.8w)	8241
		1986-1990	TC Series Pump (With 3.8, 2.5)	8096
		1983-1985	(Diesel) TC Series Pump	8096
		1982-1986	Except Diesel, Submerged Pump	8033
		1982	(Diesel) Remote Reservoir	8100
		1967-1981		8033
	1964-1966		8003	
	1961-1963		8002	
	Electra, Park Avenue	1991-2000	CB Series Pump	8241
		1991-1995	CB Pump With Variable Assist	8261
		1986-1991	All, TC Series Pump	8096
		1985	All Except Diesel	8225
		1985	Diesel Engine	8096
		1960-1984		8033
	Gran Sport, Special, Gs, Regal Sportwagon	1986-1987	All Except Turbocharger	8225
		1986-1987	With Turbocharger (Rwd)	8096
		1985		8225
1982-1984		All Except Diesel	8033	
1982-1984		Diesel Engine	8100	
1967-1981			8033	
1964 -1966			8003	
1961-1963		8002		
Lesabre	2000-2005		8630	
	1992-2003	CB Series Pump	8241	
	1993-1995	CB Pump With Variable Assist	8261	
	1986-1991	All, TC Style Pump	8096	
	1985		8225	
	1964-1984		8033	
1960-1963		8003		
Park Avenue	2000-2005	3.8L - K	8630	

Make	Model	Year	Description	TransTec® No.
Buick	Reatta	1986-1991	All (With Fwd)	8096
	Regal	1995-1996	CB Series Pump with Variable Assist	8261
		1989-2000	CB Pump Series	8241
		1988-1991	TC Series Pump	8096
	Rendezvous	2002-2006	3.4L	8241
		2004-2005	3.6L	8676
	Riviera	1992-1999	CB Series Pump	8241
		1986-1991	All TC Series Pump (Fwd)	8096
		1985		8225
		1967-1984		8033
		1963-1966		8003
	Roadmaster	1994-1996	With Variable Assist	8256
		1994-1996	With Remote Reservoir	8255
		1992-1993	Submerged Pump, With Variable Assist	8254
		1991-1993	Submerged Pump, Except Variable Assist	8225
	Skyhawk	1987-1989		8096
		1985-1986	Remote Reservoir Pump, (1.8 O) Engine	8100
		1985-1986	With (1.8 J), (2.0 P) Engine	8096
		1982-1984	Except Turbo	8100
		1982-1984	With Turbo	8096
		1975-1980		8033
	Skylark	1995-1998	2.3L DOHC, 2.4L DOHC	8326
		1992-1998	2.3L, 3.1L CB Series Pump	8241
		1991-1993	CB Series Pump With Variable Assist	8261
		1989-1991	CB Series Pump	8241
		1989-1991	TC Series Pump	8257
		1985-1988	All TC Series Pump	8096
		1982-1984	All Except Diesel	8033
		1982-1984	6 Cyl. Diesel	8096
		1967-1981		8033
		1964-1966		8003
Somerset	1991	CB Series Pump With Variable Assist	8261	
	1989-1991	CB Series Pump	8241	
	1989-1991	TC Series Pump	8257	
	1985-1988	All TC Pump	8096	
Cadillac	Allante	1993	TC Series Pump	8257
		1991-1992	All With CB Series Pump	8241
		1987-1991	All With TC Series Pump	8096
	Catera	1997-2001	CB style pump	8241
	Cimarron	1985-1988		8096
		1982-1984		8100
	Commercial Chassis, Deville, Fleetwood, Fleetwood 75 (Limo), Brougham	1982-1984	Diesel Engine	8033

Make	Model	Year	Description	TransTec® No.
Cadillac	Commercial Chassis, Deville, Fleetwood, Fleetwood 75 (Limo), Brougham	1992	Submerged Pump With Variable Assist	8254
		1986-1999	All (Rwd)	8225
		1986-1992		8225
		1985	Diesel Engine	8225
		1982-1985	All Except Diesel	8100
		1967-1981		8033
		1963-1966		8002
		1961-1962		8003
		1960	Without Air Ride	8003
	CTS	2003		8542
	Deville STS, SLS	2000-2003	With Northstar Engine	8497
	Deville, Fleetwood (Fwd)	1998-1999	Without Conversion Hearse, Coachbuilder, trailer provisions, or Merch. pkg. Deville livery	8476
		1991-1993	CB Series Pump	8241
		1985-1990	All (Fwd)	8096
	Eldorado, Seville, 650 Deville, Concours	2003-2004	Seville	8476
		1998-2002	Except 4.6L North Star engine	8476
		1994-1999	TC Pump With 4.6L V8	8476
		1993	TC Pump With 4.6 Liter V8	8257
		1992-1995	CB Pump With 4.9 Liter V8	8241
		1986-1991	All (Fwd)	8096
		1985		8225
		1967-1984		8033
		1963-1966		8002
1961-1962		8003		
1960	Without Air Ride	8003		
Chevrolet	Belair, Biscayne, Caprice, Impala, Kingswood, Townsman	1994-1996	Remote Reservoir	8255
		1991-1993	All, Submerged Pump	8225
		1985-1990		8225
		1967-1984		8033
		1960-1966		8002
	Beretta, Corsica	1988-1996	CB Style Pump	8241
		1987-1989	TC Style Pump	8096
	Camaro, Z28	1998-1999	5.7L V8 CB Pump Standard Rotation	8241
		1995-1999	3.8L V6	8241
		1993-1997	With 5.7 Liter V8, CB Pump Reverse Rotation	8259
		1993-1995	With 3.4 Liter V6, Submerged Pump	8258
		1988-1992		8225
		1986-1987	All Except 2.5L Engine	8225
		1983-1987	2.5L Engine	8096
		1982-1985	All Except 2.5L Engine	8033
	1982	2.5L Engine	8100	
	1967-1981		8033	
	Cavalier	1995-2003	2.3L DOHC, 2.4L DOHC	8342
		1990-2000	2.2 & 3.1 Liter With CB Pump	8241
		1985-1989		8096
		1982-1984		8100

Make	Model	Year	Description	TransTec® No.
Chevrolet	Celebrity, Citation	1988-1991	CB Style Pump	8241
		1987-1990	TC Style Pump	8096
		1982-1986	Except Diesel, Submerged Pump	8225
		1983-1985	Diesel, TC Style Pump	8096
		1982	Diesel (Remote Reservoir)	8100
		1980-1981		8033
	Chevelle, El Camino, Laguna, Malibu, Nomad	1985-1988		8225
		1982-1984	All Except 4.3 Diesel	8033
		1982-1984	4.3 Diesel	8100
		1967-1981		8033
		1964-1966		8002
	Chevette	1984-1987		8100
	Corvette	1997-2003		8476
		1992-1996	With 5.7 Liter Vin. J Engine (TC Style Pump)	8257
		1992-1996	With 5.7 Liter LT1 (TC Style Pump) Rev. Rotation	8260
		1990-1991	All With 5.7 Vin. J Engine	8096
		1984-1991	All With 5.7 Vin. J Engine	8098
		1967-1982		8033
		1963-1966		8002
	Impala	2000-2003		8241
	Lumina	1990-2003	All CB Series Pump	8241
	Malibu	1997-2003	3.1L SFI	8241
		1997-1999	2.4L DOHC	8342
		1997-1998	3.1L H.O.	8241
	Monte Carlo	1990-2003		8241
		1985-1989		8225
		1982-1984	All Except 4.3L Diesel	8033
1982-1984		With 4.3L Diesel	8100	
1970-1981			8033	
Monza	1975-1980		8033	
Nova, Chevy II	1967-1979		8033	
	1962-1966		8002	
Spectrum	1985-1989		8096	
Vega	1971-1977		8033	
Chevrolet Truck/Van/SUV	Astro	1987-1993	4 Cyl.	8096
		1987-1993	6 Cyl.	8225
		1985-1986		8096
	C, R-Models (2wd), K, V-Models (4wd), 10, 20, 30 Series	1985-1993		8225
		1967-1984		8033
		1963-1966		8002
	G-Models (Van), 10, 20, 30 Series	1996-1998		8258
		1994-1995		8097
		1990-1993		8225
		1987-1989	All Except 350M Engine	8225
		1987-1989	350M Engine	8096
1985-1986	All Except 350H With Manual Transmission	8225		

Make	Model	Year	Description	TransTec® No.
Chevrolet Truck/Van/SUV	G-Models (Van), 10, 20, 30 Series	1985-1986	350h With Manual Transmission	8096
		1971-1984		8033
	Lumina Van	1995-1996	3.4L, 3.8L CB Pump	8241
		1992-1994	All With 3.8 Liter, CB Series Pump	8241
		1991-1995	All With 3.1 Liter, TC Series Pump	8257
		1990	All With 3.1 Liter, TC Series Pump	8096
	P-Models (Forward Control)	1985-1993		8225
		1979-1984		8033
	S10, S10 Blazer (2wd & 4wd)	1986-1993	4 Cyl.	8096
		1985-1993	6 Cyl.	8225
		1985	Without 2.5L & Diesel Engine	8225
		1985	With 2.5L & Diesel Engine	8096
		1983-1984	4 Cyl., 6 Cyl.	8033
		1983-1984	4 Cyl. Diesel	8225
1982			8033	
Suburban	1994-2002		8258	
Trailblazer	2002-2006		8630	
Venture APV	2004-2005	3.4L	8241	
Venture	1997-2003		8241	
Chrysler	300M	1998-1999	3.2L, 3.5L	8299
	Cirrus	2000	2.5L	8296
	Concorde	2000-2004	2.7L	8114
		1998-1999	3.2L, 3.5L	8299
		1995-1997		8398
		1993-1994		8404
	Cordoba	1980-1983		8033
		1975-1979	Saginaw Pump	8033
		1975-1979	Thompson Slipper Pump	8038
	Crown (Imperial)	1969-1978	Saginaw Pump	8033
		1969-1978	Thompson Slipper Pump	8038
		1961-1968		8012
		1958-1960		8009
	E Class	1985		8225
		1980-1984		8033
		1979	Saginaw Pump	8033
		1979	Thompson Slipper Pump	8038
	ES	1988-1991	With ZF Pump	8184
		1987-1996		8225
	Fifth Avenue, Imperial	1985-1989		8225
1980-1984			8033	
1979		Saginaw Pump	8033	
1979		Thompson Slipper Pump	8038	
Lebaron, Lebaron GTS, Limousine, Town & Country	1988-1991	With ZF Pump	8184	
	1985-1988		8225	
	1980-1984		8033	
	1969-1979	Saginaw Pump	8033	

Make	Model	Year	Description	TransTec® No.
Chrysler	Lebaron, Lebaron GTS, Limousine, Town & Country	1969-1979	Thompson Slipper Pump	8038
		1961-1968		8012
		1958-1960		8009
	LHS	1998-1999	3.2L, 3.5L	8299
		1995-1997		8398
		1993-1994		8404
	Maserati	1988-1991	With ZF Pump	8184
	New Yorker	1985-1989		8225
		1980-1984		8033
		1969-1979	Saginaw Pump	8033
		1969-1979	Thompson Slipper Pump	8038
		1961-1968		8012
		1958-1960		8009
	Newport	1985-1989		8225
1980-1984			8033	
1969-1979		Saginaw Pump	8033	
1969-1979		Thompson Slipper Pump	8038	
1961-1968			8012	
1958-1960			8009	
Pacifica	2004-2006		8542	
PT Cruiser	2001-2004		8654	
Sebring	2001-2004	2.4L & 3.0L	8579	
	1995-2000	Coupe 2.5L	8296	
	1997-1999	Convertible	8114	
	1995-1999	Coupe, 2.0L without turbo	8299	
Voyager	2001-2002	3.3L	8650	
Chrysler Truck/Van/SUV	Town & Country	2001-2008	3.3L & 3.8L	8650
		1996-2000	3.3L & 3.8L	8258
Dodge	Aries, Daytona, Lancer 400, 600	1987-1991		8225
		1988-1989	With ZF Pump	8184
		1985-1987		8225
		1981-1984		8033
	Aspen, Dart, Demon, GTS, Swinger, Diplomat	1985-1989		8225
		1980-1984		8033
		1969-1979	Saginaw Pump	8033
		1969-1979	Thompson Slipper Pump	8038
		1963-1968		8009
	Avenger	1995-2000	2.5L	8296
		1995-1999	2.0L without turbo	8299
	Charger	1969-1979	Thompson Slipper Pump	8038
		1965-1979	Saginaw Pump	8033
		1965-1968	Thompson Slipper Pump	8009
Colt	1992-1994	All, Including Colt Vista	8297	
	1990-1991		8298	
Coronet	1969-1979	Thompson Slipper Pump	8038	
	1965-1979	Saginaw Pump	8033	

Make	Model	Year	Description	TransTec® No.
Dodge	Coronet	1965-1968	Thompson Slipper Pump	8009
		1958-1964	Thompson Slipper Pump, With Plain End Shaft	8009
		1958-1964	Thompson Slipper Pump, With Slotted End Shaft	8012
	Custom 880, Polara, Royal Monaco	1969-1979	Thompson Slipper Pump With Plain End Shaft	8009
		1969-1977	Thompson Slipper Pump	8038
		1967-1977	Saginaw Pump	8033
		1967-1968	Thompson Slipper Pump With Internal Threaded Shaft	8038
		1967-1968	Thompson Slipper Pump With Hex End Shaft	8012
		1958-1966	Thompson Slipper Pump With Slotted End Shaft	8012
	Dynasty	1988-1992	All (Fwd), With Saginaw Pump	8225
		1990-1991	With ZF Pump	8184
	Intrepid	2000-2004	2.7L	8114
		1998-1999	3.2L, 3.5L	8299
		1995-1997		8398
		1993-1994		8404
	Magnum Xe, Mirada, St. Regis, Super Bee, Challenger (Domestic)	1980-1983		8033
		1969-1979	Thompson Slipper Pump	8038
		1965-1979	Saginaw Pump	8033
		1965-1968	Thompson Slipper Pump	8009
	Monaco	1969-1979	Thompson Slipper Pump With Plain End Shaft	8009
		1969-1978	Thompson Slipper Pump	8038
		1967-1978	Saginaw Pump	8033
		1967-1968	Thompson Slipper Pump With Internal Threaded Shaft	8038
1958-1966		Thompson Slipper Pump With Slotted End Shaft	8012	
Neon	2001-2005		8114	
	1997-2000		8107	
Omni, Charger, Rampage, Shelby, 024	1987-1989		8225	
	1978-1986		8033	
Shadow, Lancer	1987-1994		8225	
Spirit	1989-1991	With ZF Pump	8184	
Stealth	1990-1994	(1990-6/94)	8323	
Stratus	2001-2002	3.0L	8579	
Dodge Truck/ Van/SUV	400-1000 Series	1963-1973		8012
	B-Models (1/2 - 1 Ton) Van, Mini Motor Home	1985-1992		8225
		1972-1984		8033
		1971		8038
	Caravan	2001-2008	3.3L & 3.8L	8650
		1999-2000	3.3L & 3.8L	8258
		1999-2006	2.4L	8258
	Caravan, Mini Ram	1990-1991	With ZF Pump	8184
		1985-1998	With Saginaw Pump	8225
		1984		8033
	Dakota	2000-2003	With 4.7L Engine	8575
1993-2003		2.5L, 3.9L, 5.2L	8225	
1987-1992		With 4wd, & 2wd (1987-91)	8225	
Durango	2000-2003	With 4.7L Engine	8575	
	1998-1999		8225	

Make	Model	Year	Description	TransTec® No.
Dodge Truck/ Van/SUV	Grand Caravan	1996-2000	3.3L & 3.8L	8258
	Pickup (1/2 - 1 Ton)	1985-1992		8225
		1972-1984		8033
		1969-1971	Except 383	8038
		1969-1971	With 383	8033
		1963-1968		8012
	Pickup 4wd (1/2 - 1 Ton)	1985-1993		8225
1972-1984			8033	
Ram Pickup & Power Ram	1990-1994	With 2.4 & 3.0L Engine	8321	
Ramcharger 2wd & 4wd (1/2 - 1 Ton)	1985-1993		8225	
	1974-1984		8033	
Eagle	Premier	1988-1991	4 Cyl.	8096
		1988-1991	6 Cyl.	8100
	Summit	1995	Wagon	8297
		1992-1994		8297
		1990-1991		8298
	Talon	1995-1999	2.0L with turbo	8296
		1995-1999	2.0L without turbo	8299
1991-1993			8297	
1990			8298	
Vision	1995-1997		8398	
	1993-1994		8404	
Ford	Aspire	1994-1997	Aspire	8333
	Cobra, Elite, Fairlane, Torino, Ltd II, Ranch Wagon	1978-1979		8024
		1966-1977		8034
		1965	With Ford Pump	8034
		1965	With Eaton Pump	8007
		1962-1964		8007
	Contour	1995-2000		8284
	Country Sedan, Country Squire, Crown Victoria, Custom Galaxie	1992-2003	All, (C-III Pump With Standard Rotation)	8284
		1979-1991		8024
		1975-1978	With Saginaw Pump	8033
		1978	With Ford Slipper Pump	8024
		1975-1977	With Ford Slipper Pump	8034
		1974	351, 400 Engine	8034
		1974	460 Engine	8033
1967-1973			8034	
1965-1966		With Ford Pump	8034	
196-1966		With Eaton Pump	8007	
1958-1964		8007		
Escape	2001	3.0L	8238	
	2001-2003	2.0L engine	8284	
Escort, EXP	1981-1996	1.9L	8024	
	1991-1996	Escort GT With 1.8 Liter Engine	8333	
Fairmont, Futura	1980-1983		8024	

Make	Model	Year	Description	TransTec® No.	
Ford	Fairmont, Futura	1979	With Saginaw Pump	8033	
		1979	With Ford Pump	8024	
		1978		8024	
	Falcon	1966-1970			8034
		1965	Ford Pump	8034	
		1965	Eaton Pump	8007	
		1963-1964		8007	
	Festiva	1990-1993		8282	
	Focus	2000-2004		8284	
	Fusion	2006-2008	2.3L	8724	
		2006-2008	3.0L	8739	
	Granada	1980-1982		8024	
		1979	Saginaw Pump	8033	
		1979	Ford Pump	8024	
		1978		8024	
		1975-1977		8034	
	Ltd, Ltd Wagon	1992-1995	All (C-III Pump With Standard Rotation)	8284	
		1979-1991		8024	
		1975-1978	With Saginaw Pump	8033	
		1978	With Ford Slipper Pump	8024	
		1975-1977	With Ford Slipper Pump	8034	
		1974	351, 400 Engine	8034	
		1974	460 Engine	8033	
		1967-1973		8034	
		1965-1966	With Ford Pump	8034	
		1965-1966	With Eaton Pump	8007	
		1958-1964		8007	
	Maverick	1970-1977	Maverick	8034	
	Mustang	2005-2007		8284	
	Mustang, Grande, Mach 1	1996-2003	4.6L, (C-III Pump with Standard Rotation)	8284	
		1978-2001	With 6-cyl. 3.8L engine	8024	
		1966-1977		8034	
1965		With Ford Pump	8034		
1965		With Eaton Pump	8007		
1964			8007		
Pinto	1978-1980		8024		
	1975-1977		8034		
Probe	1993-1997		8360		
	1989-1992	4 Cyl. 2.2L	8346		
	1990	V6	8457		
Taurus	2001-2007	With 12V OHV engine	8024		
	1996-2007	With 3.0L 24V DOHC engine	8284		
	1993-1995	3.2L	8457		
	1992-2007	With 6-cyl. 3.0L 12V engine	8024		
	1989-1992	SHO 3.0L	8457		
	1986-1991		8024		

Make	Model	Year	Description	TransTec® No.
Ford	Tempo	1992-1994	With 4 Cyl., 2.3l (C-II Pump With Reverse Rotation)	8251
		1992-1994	3.0L	8457
		1984-1991		8024
	Thunderbird	1994-1997	With 6-cyl. 3.8L engine	8024
		1994-1997	With 8 Cyl., 4.6L (C-III Pump With Standard Rotation)	8284
		1978-1993		8024
		1977		8034
		1973-1976		8033
		1972	400, 429 Engine Without Air	8034
		1972	429 With Air, 460	8033
		1966-1971		8034
		1965	With Ford Pump	8034
		1965	With Eaton Pump	8007
		1958-1964		8007
Ford Truck/ Van/SUV	Aerostar	1986-1997		8024
	Bronco (Full Size)	1978-1996		8024
		1972-1977		8034
	E - Models (100 - 350)	1985-1996	Gas Engine	8225
	E Models 100-550 (Super Duty)	1998-2002		8284
		1992-1997	Diesel Engine	8024
		1985-1996	Gas engine	8258
		1975-1984		8033
		1971-1974		8034
	Ranger, Bronco II	1983-2001	Gas, all	8024
		1983-1989	2.3 Diesel	8096
	E Models Stripped Chassis, RV Cutaway	1990-2002		8258
	Excursion	2003-2005	With 5.4L and 6.8L gas engine	8284
		2000-2002	With 7.3L Diesel	8024
		2000-2002	With 5.4L, 6.8L gas engine	8284
	Expedition	2003-2006		8284
		1997-2002		8284
	Explorer	1997-2001	4.0L SOHC, 5.0L	8284
		1996	5.0L	8284
		1991-2000	4.0L OHV	8024
	F Super Duty	1990-1997		8024
F100-F350 2WD	1973-1977		8033	
	1967-1972		8034	
	1958-1964		8007	
F100-F350 4WD	1973-1977		8034	
F100-F350 With Eaton Pump	1965-1966		8007	
F100-F350 With Ford Pump	1965-1966		8034	
F150	2002-2007		8284	
	1997-2001		8284	
F150, F250, F350	1978-1996		8024	
F250 under 8,500 GVW	1997-1999		8284	
F250, F350	1997-1998		8024	

Make	Model	Year	Description	TransTec® No.
Ford Truck/ Van/SUV	F250, F350, F450, F550 (Super Duty) 4.2L, 5.4L, 6.8L	1999-2002		8284
	F250, F350, F450, F550 (Super Duty) w/7.3L Diesel	1999-2002		8024
	Ranchero	1978-1979		8024
		1966-1977		8034
		1965	With Ford Pump	8034
		1963-1964		8007
	Windstar	1999-2002		8284
1995-1998			8024	
Geo	Prizm	1993-2002		8299
	Storm	1990-1993		8093
	Tracker	1999-2003		8531
1989-1995			8429	
GMC Truck/ Van/SUV	Envoy	2002-2006		8630
	GM C,H-Body	2003-2006	3.8L-K	8630
	Trailblazer/ Envoy	2002-2006	4.2L	8630
	C, R Models, 1500, 2500, 3500, Pick Up, Suburban, Jimmy	1985-1993		8225
		1967-1984		8033
		1963-1966		8002
	Caballero, Sprint	1985-1988		8225
		1982-1984	All Except 6 Cyl. Diesel	8033
		1982-1984	6 Cyl. Diesel	8100
		1971-1981		8033
	G-Models (Van), 1500, 2500, 3500 Series	1987-1992	All Except 350m Engine	8225
		1987-1992	350m Engine	8096
		1985-1986	All Except 350H With Manual Transmission	8225
		1985-1986	350H With Manual Transmission	8096
		1971-1984		8033
K, V Models (4wd), 1500, 2500, 3500 Series	1985-1993		8225	
	1967-1984		8033	
	1964-1966		8002	
P-Models (Forward Control)	1985-1992		8225	
	1979-1984		8033	
S15, S15 Jimmy	1986-1993	4 Cyl.	8096	
	1986-1993	6 Cyl.	8225	
	1985	4 Cyl. Without 2.5L & Diesel Engine	8225	
	1985	4 Cyl. With 2.5L & Diesel Engine	8096	
	1985	6 Cyl.	8225	
	1983-1984	4 Cyl. Without 2.5L & Diesel Engine	8033	
	1983-1984	4 Cyl. With 2.5L & Diesel Engine	8225	
	1983-1984	6 Cyl.	8033	
	1982		8033	
Safari	1987-1993	4 Cyl.	8096	
	1987-1993	6 Cyl.	8225	
	1985-1986		8096	

Make	Model	Year	Description	TransTec® No.
Honda	Accord	2006-2007	4 Cyl	8617
		2003-2007	V6 3.0L	8607
		2003-2005	4 Cyl	8616
		1998-2002	Except V6	8066
		1998-2002	2-Door & 4-Door V6	8496
		1994-1997		8253
		1990-1993		8162
		1988-1989	Coupe	8163
		1986-1989	All 3-Door & 4-Door Models	8163
		1982-1985		8166
		1978-1981		8165
	Civic	2006-2007	1.8L	8617
		2003-2005	2-Door & 4-Door	8614
		2001-2002	2-Door & 4-Door	8611
		1998-2000	4-Door	8066
		1998-1999	2-Door	8066
		1996-1997	2-Door, 4-Door	8066
		1996-1997	Coupe	8066
		1992-1995		8253
		1988-1991	3-Door, 4-Door, Wagon & 4wd	8160
		1984-1987	All, Reservoir Pump	8161
	CR-V	2005-2007	2.4L	8617
		2003-2004	2.4L	8616
		2002		8617
		2000-2001		8066
		1997-1999		8066
	Del Sol	1993-1997		8253
	Element	2003-2005		8616
		2006-2007		8617
	Prelude	1997-2002	Except V6	8066
		1992-1996		8253
		1988-1991	Without 4 W/S	8166
		1988-1989	With 4 W/S	8166
		1985-1987		8163
		1981-1984		8166
		1979-1981		8165
Honda Truck/ Van/SUV	Odyssey	2005-2007	V6 3.5L	8607
		1999-2004	3.5L	8496
		1998	2.3L	8066
		1995-1997	2.2L	8253
	Passport	1999-2002		8477
		1998	4 Door Sport Utility	8360
		1994-1997	6 Cyl.	8360
		1994-1996	4 Cyl.	8172
	Pilot	2003-2007	V6 3.5L	8607
	Ridgeline	2006-2007		8607

Make	Model	Year	Description	TransTec® No.
Hyundai	Accent	1995-2004		8011
	Elantra	2004-2006		8011
		1995-2003		8011
		1991-1994	All (1/91-5/94)	8321
	Excel	1994		8011
		1990-1993		8321
	Sonata	1994-2005		8011
	Tiburon	1997-2001		8011
Tucson	2005-2007	2.0L & 2.7L	8431	
XG350	2001-2004		8011	
Hyundai Truck/Van/SUV	Sante Fe	2001-2006		8011
Infiniti	G20	2002		8500
		1999	All (6/98-Up)	8360
		1991-1996	All (7/90-7/96)	8450
		2000-2001		8500
	G35	2003-2007		8531
	I30	1995-2001		8376
	J30	1992-1997		8249
		1992-1994	4 Wheel Steering	8248
	M30	1990-1991	(8/89 - 12/91)	8235
	M35	2006-2007		8500
	M45	2003-2004		8672
	Q45	2001-2005		8672
		1997-2001	4.1L	8658
1991-1996		(8/90-6/96)	8218	
1991-1995		With Active Suspension	8493	
1989-1994	(8/89-6/94) 4 Wheel Steering	8248		
Infiniti Truck/Van/SUV	FX45	2003-2005		8672
	QX4	2000-2003	3.5L	8500
		2000	3.3L	8360
1997-1999		8360		
Isuzu	Axiom	2002		8477
	Impulse	1990-1992		8093
	Oasis	1998-1999		8066
		1996-1997		8253
	Stylus	1992-1993	1.8L DOHC	8093
		1991	1.6L DOHC	8093
1991-1993		1.6L SOHC	8093	
Vehicross	1999-2001		8360	
Isuzu Truck/Van/SUV	Amigo	1999-2003		8477
		1998	4x2	8360
		1989-1994	4x2 & 4x4	8172
	Hombre	1996-2000	6 Cyl.	8258
1996-2000		4 Cyl.	8241	

Make	Model	Year	Description	TransTec® No.
Isuzu Truck/ Van/SUV	NPR	1995-1998		8097
		1987-1991	(8/86-3/92)	8508
	Pickup	1988-1995	4x2 & 4x4 Except V6	8172
		1988-1995	V6	8097
	Rodeo	1999-2003		8477
		1998	4x2 & 4x4	8360
		1994-1997	3.2L (9/93-97)	8360
		1991-1997	4x2 4 Cyl.	8172
	Rodeo Sport	1998		8360
		1999-2003		8477
Trooper	1998-2000		8360	
	1997	2-Door & 4-Door	8346	
Trooper/Trooper II	1992-1996	10/91-5/96	8346	
Jaguar	XJ6	1995-1997	3.2L & 4.0L (7/94-12/97)	8121
	XJ12	1995-1998	6.0L (7/94-12/97)	8121
	XJR	1995-1997	Sport 4.0L Supercharged (7/94-12/97)	8121
Jeep Truck/ Van/SUV	Grand Cherokee	1996-2004	4.0L & 4.7L	8476
	Cherokee, Comanche, Wagoneer	2005-2006	3.7L & 4.7L Cherokee	8706
		1997-1999	4 cylinder	8476
		1996-1999	6 cylinder	8476
		1984-1993	All, Except Remote Pumps	8225
		1984-1993	Remote Pumps	8100
		1975-1983		8033
	1972-1974	Saginaw Pump	8033	
	Dispatcher, Renegade, Universal	1985-1986		8225
		1972-1984		8033
Grand Wagoneer, J-10, J-20 (Full Size Truck)	1985-1986		8225	
	1972-1984		8033	
Wrangler	1997-1999		8476	
	1987-1992		8225	
KIA	Rio	2000-2005		8740
	Sportage	2005-2006	2.0L & 2.7L	8431
Lexus	ES250	1989-1991	(6/89-5/91)	8244
	ES300	1997-2003		8299
		1992-1995	All (1/92-4/95)	8365
	ES350	2007-2008		8542
	GS300	1998-2003	6 cyl.	8487
		1999-2000	8 Cyl.	8319
		1993-1995	All (1/93-5/95)	8416
	GS400	1998-2001	4.0L 8/97-4/01	8319
	GS430	1998-2003		8319
	IS300	2001-2005	(5/00-Up)	8416
	LS400	1989-2000	5/89-8/00	8319
	LS430	2001-2003		8542
	RX300	1998-2001	1998-2/01	8299
RX330	2004-2005		8299	
SC300	1991-2000	(8/91-7/00)	8416	

Make	Model	Year	Description	TransTec® No.
Lexus	SC400	1991-2000	4/91-7/00	8319
	SC430	2002-2004		8319
Lexus Truck/ Van/SUV	GX470	2003		8299
	LX450	1995-1998	(11/95-98)	8388
	LX470	2003-2007		8650
		1998-2002		8299
Lincoln	Continental	1995-2001		8284
		1980-1994		8024
		1972-1979		8033
		1970-1971		8034
	Mark III, Mark IV, Mark V, Mark VI, Town Car	1993-2007	C-III pump with standard rotation	8284
		1991-1992	Towncar with Pump Tagged HBD-AA	8284
		1980-1992		8024
		1972-1979		8033
		1970-1971		8034
	Mark VII	1993-1994	All (C-III Pump With Standard Rotation)	8284
		1982-1992		8024
	Mark VIII	1995-1998		8284
Town Car	2004-2007		8284	
	1993-2003	C-III pump with standard rotation	8284	
Versailles	1978-1980		8024	
	1977		8034	
Lincoln Truck/Van/ SUV	Navigator	1998-2006		8284
Mazda	323	1990-1995		8406
		1986-1989		8280
	626	1998-2002	4 Cyl.	8500
		2000	2.5L	8360
		1993-1999	2500cc	8360
		1993-1997	2000cc	8360
		1990-1992		8346
	929	1992-1995	With DOHC	8360
		1990-1991	Sedan With OHC	8343
		1990-1991	Sedan With DOHC	8327
		1988-1989		8322
	Mazda 6	2003-2006	2.3L	8477
		2003-2004	3.0L	8489
	Miata	1999-2004	MX-5	8431
		1996-1997	MX-5	8431
		1993-1995	MX-5	8406
	Millenia	1995-2002		8360
MX3	1992-1995	1.8L	8360	
	1990-1997	4 Cyl.	8406	
MX6	1993-1997		8360	
	1990-1992		8346	

Make	Model	Year	Description	TransTec® No.
Mazda	Protege	2001-2003	2.0L	8500
		1999-2003	1.6L	8489
		1999-2000	1.8L	8500
		1996-1998		8431
		1990-1995		8406
	Protege5	2002-2003	1.6L	8489
		2002-2003	2.0L	8500
	RX-7	1994-1995		8360
		1989-1992	With Engine RPM Sensor	8376
1984-1985			8279	
Mazda Truck/ Van/SUV	B2000	1986-1989	Without bearing	8375
	B2200	1990-1993	Without Bearing	8375
	B2300	1994-1997		8024
	B2500	1998-1999		8024
	B2600	1990-1993		8077
	B3000 & B4000	1994-1999		8024
	MPV	2000-2001		8238
		1989-1998		8376
	Navajo	1991-1995		8024
Tribute	2001-2004	3.0L	8238	
	2001-2004	2.0L	8284	
Mercury	Bobcat	1978-1980		8024
		1975-1977		8034
	Caliente, Capri, Comet, Cyclone, Villager, Voyager	1966-1967		8034
		1965	With Ford Pump	8034
		1965	With Eaton Pump	8007
		1963-1964		8007
	Capri	1979-1988		8024
	Colony Park, Commuter, Montclair, Monterey, Parklane, Marauder	1992-1995	All (C-III Pump With Standard Rotation)	8284
		1979-1991		8024
		1975-1978	With Saginaw Pump	8033
		1975-1978	With Ford Slipper Pump	8034
		1973-1974	351, 400 Engine	8034
		1973-1974	460 Engine	8033
		1965-1972		8034
		1961-1964		8007
1959-1960	With Belt Driven Pump	8007		
Cougar	1999-2002		8284	
	1994-1997	With 6-cyl. 3.8L engine	8024	
Cougar, XR-7 (Rwd)	1994-1997	Cougar With 8 Cyl., 4.6l	8284	
	1978-1993		8024	
	1967-1977		8034	
Cyclone, Montego, Mx	1968-1976		8034	
Lynx, LN7	1981-1987		8024	

Make	Model	Year	Description	TransTec® No.
Mercury	Marquis	1992-2003	All (C-III Pump With Standard Rotation)	8284
		1979-1991		8024
		1975-1978	With Saginaw Pump	8033
		1975-1978	With Ford Pump	8034
		1973-1974	351, 400 Engine	8034
		1973-1974	460 Engine	8033
		1965-1972		8034
		1961-1964		8007
		1959-1960	With Belt Driven Pump	8007
	Meteor	1962-1963		8007
	Monarch	1980		8024
		1979	Saginaw Pump	8033
		1979	Ford Pump	8024
		1978		8024
		1975-1977		8034
	Mystique	1995-2000		8284
	Sable	1996-2000	With 6-cyl. 3.0L 12V engine	8024
		1996-2000	With 3.0L 24V engine	8284
		1986-1995		8024
	Topaz	1992-1994	With 4 Cyl., 2.3l (C-III Pump With Reverse Rotation)	8251
1992-1994		3.0L	8457	
1984-1991			8024	
Tracer	1987-1996	1.9L	8024	
	1987-1996	1.8L	8333	
Zephyr	1980-1983		8024	
	1979	With Saginaw Pump	8033	
	1979	With Ford Pump	8024	
	1978		8024	
Mercury Truck/Van/SUV	Mountaineer	1997-2001	4.0L SOHC	8284
		1997-2000	5.0L	8284
	Villager	1993-2002		8360
Mitsubishi	3000GT	1995-1998	All (7/94-5/98)	8297
		1990-1994	All (1990-6/94)	8323
	Diamante	1997-2001		8297
		1995	DOHC (From 6/94)	8297
		1995	Sohc (From 7/94)	8297
		1993-1994		8323
		1991-1994	DOHC (1991-6/94)	8323
		1991-1994	Sohc (1991-7/94)	8323
	Eclipse	2000-2005	3.0L	8579
		2000-2002		8213
		1994-1999	2WD & 4WD Turbo	8296
		1994-1999	2WD Without Turbo	8299
1991-1993		2WD, 4WD	8297	
1989-1990		2WD, 4WD (1989-5/90)	8298	

Make	Model	Year	Description	TransTec® No.
Mitsubishi	Eclipse Spyder	2000-2002	3.0L	8213
		1996-1997	DOHC Without Turbo	8299
		1996-1997	DOHC With Turbo, SOHC Without Turbo	8296
	Galant	1999-2002		8579
		1993-1997	All (2/93-97)	8296
		1990-1992	All (6/90-5/92)	8297
		1988-1990	All (1/88-5/90)	8298
		1985-1987	All (3/85-87)	8282
		1985	All (Up To 2/85)	8298
	Lancer	2004-2006	L4 2.0L SOHC	8645
		2002-2003	L4 2.0L SOHC	8489
	Mirage	1999-2000		8489
		1997-1998	All (5/96-12/98)	8297
		1993-1994	All (6/92-11/94)	8323
		1992		8297
		1988-1991	SOHC (4/88-5/91)	8298
		1988-1989	DOHC (4/88-3/89)	8298
		1989	DOHC (3/89-5/89)	8297
		1985-1988		8282
Precis	1994		8011	
	1990-1993		8321	
Starion	1983	(1/83-5/83)	8402	
Mitsubishi Truck/Van/SUV	Truck	1983-1986	4WD	8100
	Expo/LRV	1991-1995		8297
	Montero	2002-2005	V6 3.8L	8640
		2002-2004	Sport 2WD & 4WD 6 Cyl.	8489
		2000-2001	Sport	8297
		2000	4WD V6 3.5L	8489
		1997-1999		8297
		1994-1996	3500cc (V45W) (8/93-5/94)	8297
	1992-1996	3000cc (V43W) (1992-5/96)	8297	
Outlander	2003-2005	2.4L	8645	
Van/Wagon	1988-1990		8282	
	1987	All (12/86-3/87)	8298	
Nissan	200SX	1997-1999		8360
		1995-1996	2.0L	8450
		1986-1989	6 Cyl. (7/86-6/89)	8235
		1986-1989	4 Cyl. CA18ET, CA20DE (3/86-6/89)	8235
		1984-1985	4 Cyl. CA18ET, CA20DE (10/83-2/86)	8237
		1977-1983	All (1977-9/83)	8234
	240SX	1995-1998	2.4L KA24DE	8238
		1991-1994	(7/90-94) 2 Wheel Steering	8238
		1992-1994	(7/91-94) 4 Wheel Steering	8433
	240SX	1988-1990	2 Wheel Steering KA24DE (7/88-7/90)	8235
	280ZX	1980-1983		8234
		1977-1979	All (1977-7/79)	8236

Make	Model	Year	Description	TransTec® No.
Nissan	300ZX	1994-1996	V6 & V6 With Twin Turbo (9/93-7/96)	8249
		1990-1993	V6 With Twin Turbo & 4 W/S (7/89-8/93)	8248
		1989-1996	V6, Standard 2 W/S (2/89-7/96)	8249
		1987-1989	All (9/86-1/89)	8235
		1984-1986	All (7/83-8/86)	8237
	350Z	2003-2004	V6 3.5L	8531
	Altima	2002-2004	2.5L & 3.5L	8360
		1992-2001	2.4L	8360
	Axxess	1989-1992		8249
	Maxima	2003	V6 3.5L	8360
		2004-2007	3.5L	8360
	Maxima (810 & 910)	2003	V6 3.5L	8360
		1994-2002	Sedan	8376
		1989-1993	All (8/88-1/94)	8235
		1986-1988	Sedan (9/85-8/88)	8235
		1986-1988	Wagon (9/85-8/88)	8237
		1985	Sedan (7/84-8/85)	8237
		1981-1984	All With Atsugi Pump (7/80-6/84)	8236
	Murano	2003-2005		8360
	NX1600	1991-1994	Japan Built	8450
		1991-1994	U.S. Built	8235
	NX2000	1991-1994	Japan Built	8450
		1991-1994	U.S. Built	8450
	Pulsar	1989-1990	With GA16 Engine (7/88-8/90)	8235
		1987-1990	With CA16D, CA18D (9/86-8/90)	8235
		1987-1988	With E16 Engine (9/86-7/88)	8232
		1983-1986	All (8/82-8/86)	8234
	Sentra	2000-2006	1.8L, 2.5L	8360
		2000-2001	2.0L	8500
		1995-1999	4-door 1.6L DOHC	8360
		1995-1997	Sedan, 4-Door, 1.6L	8360
		1989-1994	1.6L 7/88-10/94	8235
1987-1988		Except 4WD (9/86-7/88)	8233	
1987-1988		4WD (9/86-7/88)	8232	
1986		Except 4WD (1/86-8/86)	8232	
1982-1985	All (2/82-12/85)	8234		
Stanza	1991-1992	8/90-7/92	8249	
	1990		8450	
	1986-1989	All (12/85-7/89)	8235	
	1985-1988	Wagon 2WD & 4WD (3/85-9/88)	8237	
	1982-1985	Except Wagon (8/81-11/85)	8234	
Nissan Truck/ Van/SUV	Truck	1996-1997	4 Cyl. (1/96-8/97)	8238
		1990-1995	4 Cyl. (8/89-1/96)	8235
		1986-1987	6 Cyl. (11/85-2/88)	8237
		1988-1995	6 Cyl. (2/88-1/96)	8235
		1986-1989	4 Cyl. (11/85-8/89)	8237

Make	Model	Year	Description	TransTec® No.
Nissan Truck/ Van/SUV	Pickup Model 720	1983-1986	2.4L Z24 (11/82-12/85)	8264
		1983-1986	4 Cyl. 2.5L	8237
	Frontier	2005-2007		8360
		2000-2004	6 Cyl.	8360
		1998-2004	4 Cyl.	8360
	Pathfinder	2000-2002	3.5L, 6 Cyl.	8500
		1996-2000	With 6 Cyl. engine	8360
		1989	All (3/89-8/89) With 4 Cyl. engine	8235
		1988-1992	All (2/88-7/92) With 6 Cyl. engine	8235
		1987-1988	All (7/86-3/89) With 4 Cyl. engine	8237
1987		(7/86-02/88) With 6 Cyl. engine	8237	
Quest	1992-2003		8360	
Xterra	2000-2001		8360	
Oldsmobile	98 Regency	1992-1995	CB Pump With Variable Assist	8261
		1991-1996	CB Series Pump	8241
		1986-1991	All, TC Series Pump	8096
		1985	All Except Diesel	8225
		1985	Diesel Engine	8096
		1961-1984		8033
		1960		8003
	Achieva	1996-1999	3.1L Except Variable Assist	8241
		1996-1998	2.4L DOHC Except Variable Assist	8326
		1996-1998	3.1L CB Pump with Variable Assist	8261
		1995	2.3L DOHC with Variable Assist	8342
		1992-1995	CB Pump With Variable Assist	8261
		1992-1995	CB Pump Except Variable Assist	8241
	Aurora	2001-2003	4.0L DOHC	8497
		1995-1996		8257
		1997-1999		8476
	Calais	1989-1991	All With CB Series Pump	8241
		1989-1991	All, TC Pump	8257
		1987-1988	All, TC Pump	8096
		1985-1986		8096
	Custom Cruiser, Delmont, Dynamic, Jetstar I, Jetstar 88, Royale, Starfire (1961-66)	1985-1992		8225
		1961-1984		8033
		1960		8003
	Cutlass Ciera, Omega	1994	CB Series Pump With Variable Assist	8261
		1987-1991	TC Series Pump	8096
		1985-1986	Except 3.8L Engine	8225
		1985-1986	3.8L Engine	8096
		1983-1984	6 Cyl. Diesel	8096
		1982-1984	Except 6 Cyl. Diesel	8033
		1982	6 Cyl. Diesel	8100
Cutlass Ciera, Omega	1973-1981		8033	
	1987-1996	CB Series Pump	8241	

Make	Model	Year	Description	TransTec® No.
Oldsmobile	Cutlass, Cutlass Supreme, F-85, Jetfire, Vista Cruiser, 442	1988-1999	CB Series Pump	8241
		1995-1997	CB Series Pump w/ Variable Assist	8261
		1988	TC Series Pump	8096
		1985-1988	All (RWD)	8225
		1968-1984		8033
		1967	6 Cyl.	8033
		1966-1967	8 Cyl.	8003
		1966	6 Cyl.	8002
		1964-1965		8003
		1961-1963		8002
	Delta 88	1993-1995	CB Pump With Variable Assist	8261
		1992-1999	CB Series Pump	8241
		1986-1991	All, TC Style Pump	8096
		1985		8225
		1961-1984		8033
		1960		8003
	Firenza	1987-1988		8096
		1985-1988	All Except 1.8L Engine	8096
		1985-1986	1.8L Engine	8100
		1982-1984		8100
	Intrigue	1999-2003	3.5L DOHC MFI V6	8547
		1998-1999	CB Series Pump	8241
	Silhouette	2003-2004	3.4L	8241
		1997-2002		8241
		1993-1996	All with 2.3L DOHC, 3.4L CB Series Pump	8241
		1992-1995	All With 3.8L, CB Series Pump	8241
		1991-1994	All With 3.1L, TC Series Pump	8257
		1990	All With 3.1L, TC Series Pump	8096
	Starfire	1975-1980		8033
	Toronado	1992-1995	CB Series Pump	8241
		1986-1991	All, TC Series Pump (Fwd)	8096
		1985		8096
1968-1984			8033	
1966-1967			8003	
Plymouth		Acclaim	1989-1991	With ZF Pump
	Barracuda	1969-1974	With Saginaw Pump	8033
		1969-1974	With Thompson Pump	8038
		1964-1968		8009
	Belvedere	1969-1970	With Thompson Pump	8038
		1967-1970	With Saginaw Pump	8033
		1965-1968	With Thompson Pump	8009
		1965-1966	With Saginaw Pump	8002
		1961-1964	Thompson Pump With Plain End Shaft	8009
		1961-1964	Thompson Pump With Slotted End Shaft	8012
	Caravelle	1985-1987		8225
		1982		8033

Make	Model	Year	Description	TransTec® No.	
Plymouth	Duster, Signet, Valiant, Volare	1969-1979	Saginaw Pump	8033	
		1969-1979	Thompson Pump	8038	
		1960-1968		8009	
	Fury, Grand Fury, Savoy, Vip	1985-1989			8225
		1980-1984			8033
		1969-1979	Thompson Pump	8038	
		1969-1979	Thompson Pump With Plain End Shaft	8009	
		1967-1979	Saginaw Pump	8033	
		1967-1968	Thompson Pump With Internal Threaded Shaft	8038	
		1967-1968	Thompson Pump With Hex End Shaft	8012	
		1958-1966	Thompson Pump With Slotted End Shaft	8012	
	Grande Coupe, GTX, Regent, Roadrunner, Satellite, Sebring	1969-1978	Thompson Pump	8038	
		1967-1978	Saginaw Pump	8033	
		1965-1968	Thompson Pump	8009	
		1965-1966	Saginaw Pump	8002	
	Horizon, TC3, Turismo, Scamp	1985-1990		8225	
		1978-1984		8033	
	Laser	1991-1993		8297	
		1990		8298	
		1985-1986		8225	
		1984		8033	
Reliant	1983-1991		8225		
	1981-1982		8033		
Scamp	1969-1979	Saginaw Pump	8033		
	1969-1979	Thompson Pump	8038		
	1960-1968		8009		
Sundance	1988-1991	With ZF Pump	8184		
	1987-1994		8225		
Plymouth Truck/Van/SUV	Trail Duster	1974-1983	2WD & 4WD	8033	
	Voyager	1996-2003	2.4L	8258	
		1996-2000	3.3L & 3.8L	8258	
		1990-1991	With ZF Pump	8184	
		1985-1988		8225	
1974-1984		8033			
Pontiac	6000	1987-1991		8096	
		1985-1986	Except 6 Cyl. Diesel	8225	
		1985-1986	6 Cyl. Diesel	8096	
		1982-1984	Except 6 Cyl. Diesel	8033	
		1982-1984	6 Cyl. Diesel	8100	
	Astre	1975-1977		8033	
	Aztek	2001-2005	3.4L	8241	
	Bonneville	2004-2006	4.6L	8476	
		2000-2005	3.8L Naturally Aspirated	8630	
		2000-2005	C.B. Style Pump Supercharged 3.8L	8241	
1992-1999		CB Series Pump With Variable Assist	8261		
1992-1999	CB Series Pump	8241			

Make	Model	Year	Description	TransTec® No.
Pontiac	Bonneville	1987-1991		8096
		1985-1986		8225
		1967-1984		8033
		1964-1966		8002
		1960-1963		8003
	Catalina, Executive, Grandville, Parisienne, Safari, Starchief, 2 + 2	1985-1986		8096
		1964-1981		8033
		1960-1963		8003
	Esprit, Firebird, Formula, Trans Am	1998-1999	8 Cyl. 5.7L CB Pump Reverse Rotation	8259
		1998-1999	8 Cyl. 5.7L Engine Standard Rotation	8241
		1995-1999	6 Cyl. 3.8L Engine	8241
		1993-1995	6 Cyl. 3.4L	8258
		1988-1992	6 Cyl. 3.1L Engine	8225
		1988-1992	6 Cyl. 3.8L Engine	8098
		1988-1992	8 Cyl.	8225
		1987		8225
		1985-1986	All Except 2.5L Engine	8225
		1983-1986	2.5l Engine	8096
		1982-1984	All Except 2.5l Engine	8033
		1982	4 Cyl. 2.5L Engine	8100
		1967-1981		8033
	Grand Am	1999	3.4L CB Series Pump with Variable Assist	8261
		1996-1998	3.1L CB Series Pump with Variable Assist	8261
		1996-1998	3.1L CB Series Pump	8241
		1995-1999	2.3L DOHC, 2.4L DOHC with Variable Assist	8342
		1995-1999	2.3L DOHC, 2.4L DOHC	8326
		1992-1995	CB Series Pump	8241
		1992-1995	CB Series Pump with Variable Assist	8261
		1985-1991		8096
		1967-1984		8033
		1964-1966		8002
	1961-1963		8003	
	Grand Prix	1992-1996	CB Series Pump With Variable Assist	8261
		1989-2000	CB Series Pump	8241
		1988	TC Series Pump	8096
		1985-1987		8225
		1967-1984		8033
		1964-1966		8002
		1960-1963		8003
		GTO	2004	
	GTO, Tempest	1967-1981		8033
		1964-1966		8002
1961-1963			8003	
J2000	1987-1991		8096	
	1982-1986	All Except 1.8L Engine	8096	
	1982-1986	1.8L Engine	8100	

Make	Model	Year	Description	TransTec® No.
Pontiac	Lemans	1988-1993		8096
		1967-1981		8033
		1964-1966		8002
		1961-1963		8003
	Phoenix	1983-1984	6 Cyl. Diesel	8096
		1982-1984	All Except 6 Cyl. Diesel	8033
		1982	6 Cyl. Diesel	8100
		1971-1981		8033
	Sunbird	1992-1994	CB Series Pump	8241
		1987-1991	All Except 1.8L Engine	8096
		1987-1991	1.8L Engine	8100
		1976-1980		8033
	Sunfire	1995-2000	2.3L DOHC, 2.4L DOHC	8326
		1995-2000	2.2L	8241
T1000	1984-1987		8100	
	1961-1963		8003	
Ventura	1967-1977		8033	
	1964-1966		8002	
	1961-1963		8003	
Pontiac Truck/Van/SUV	Montana	1997-2002		8241
	Montana APV	2003-2005	3.4L	8241
	Trans Sport	1996	All w/ 3.4L CB Series Pump	8241
		1992-1995	All With 3.8L, CB Series Pump	8241
1991-1995		All With 3.1L, TC Series Pump	8257	
1990		All With 3.1L, Tc Series Pump	8096	
Porsche	Porsche	1989-1994	With Aluminum ZF Pump	8467
Saturn	LS, LS1, LW1	2000-2002		8342
	LS2, LW2	2000-2002		8241
	SC SC1 SC2 SL SL1 SL2 SW1 SW2	1991-2001		8261
Subaru	Forester	1999-2002		8656
	Impreza	2002	2.0L DOHC w/turbo	8531
		1999-2001		8530
		1993-1998		8055
	Legacy & Outback	2005-2007	2.5L Excludes Turbo	8735
	Legacy	2000-2001	2.5L SOHC	8579
	SVX	1992-1996		8512
XT	1987-1991		8172	
Suzuki	Aerio	2002-2005		8531
	Esteem	1999-2002		8531
		1998		8489
		1995-1996		8093
	Grand Vitara	1999- 2004		8531
Sidekick	1996-1998	1.6L	8431	
	1996-1998	4WD Sport	8516	
	1989-1995		8429	

Make	Model	Year	Description	TransTec® No.
Suzuki	Swift	1995-1997		8093
	Vitara	1999-2004		8531
	X-90	1997-1998		8429
		1996		8431
	XL7	2001-2004		8531
Toyota	Avalon	2005-2007		8542
		2000-2004		8299
		1994-1998		8299
	Camry	2002-2008	4 Cyl. & 6 Cyl.	8542
		2002-2006	6 Cyl., 3.0L & 3.3L	8299
		1997-2001	Sedan, 4 & 6 Cyl.	8299
		1995-1996	Coupe & Wagon, 6 Cyl. (8/94-7/96)	8299
		1992-1996	Coupe & Wagon, 4 Cyl. (3/92-7/96)	8299
		1992-1994	6 Cyl.	8365
		1991-1992	Coupe & Wagon, 4 Cyl. (9/91-3/92)	8386
		1989-1991	6 Cyl. (7/88-9/91)	8244
		1987-1991	4 Cyl. (8/86-9/91)	8244
		1984-1986	Diesel Only (8/83-7/86)	8244
	1983-1986	Gas (1/83-7/86)	8243	
	Celica	2000-2005		8542
		1994-1999	2.2L (9/93-8/99)	8386
		1990-1995	All Except GTS(9/89-2/95)	8244
		1986-1989	All, Incl. Supra (8/85-8/89)	8244
		1982-1985	Coupe & Liftback (8/81-11/85)	8247
		1982-1985	Supra (8/81-11/85)	8247
		1978-1981	Celica & Supra (8/77-8/80)	8245
	Corolla	2002-2007		8542
		2004	Matrix	8542
		1997-2001	ZZE110	8416
		1993-1996	Sedan & Wagon (9/92-6/96)	8299
		1987-1988	FX, FX16 & GTS (9/86-8/88)	8244
		1984-1992	All (8/83-9/92)	8244
1983		Dx Models (8/82-7/83)	8243	
Corona	1977-1980	(1/77-11/80)	8245	
Cressida	1989-1992	All (8/88-7/92)	8383	
	1985-1988	All (8/84-8/88)	8389	
	1983-1984	Sedan & Wagon (8/82-7/84)	8247	
	1978-1981	All (8/77-8/80)	8245	
Crown	1971-1972	(2/71-8/72)	8245	
Echo	2000-2004		8542	
Paseo	1997	All (8/96-5/97)	8416	
	1996	EL54 (8/95-8/96)	8386	
	1991-1996	EL44 (4/91-8/96)	8386	
Scion tC	2006-2008		8542	
Scion xA, xB	2004-2005		8542	

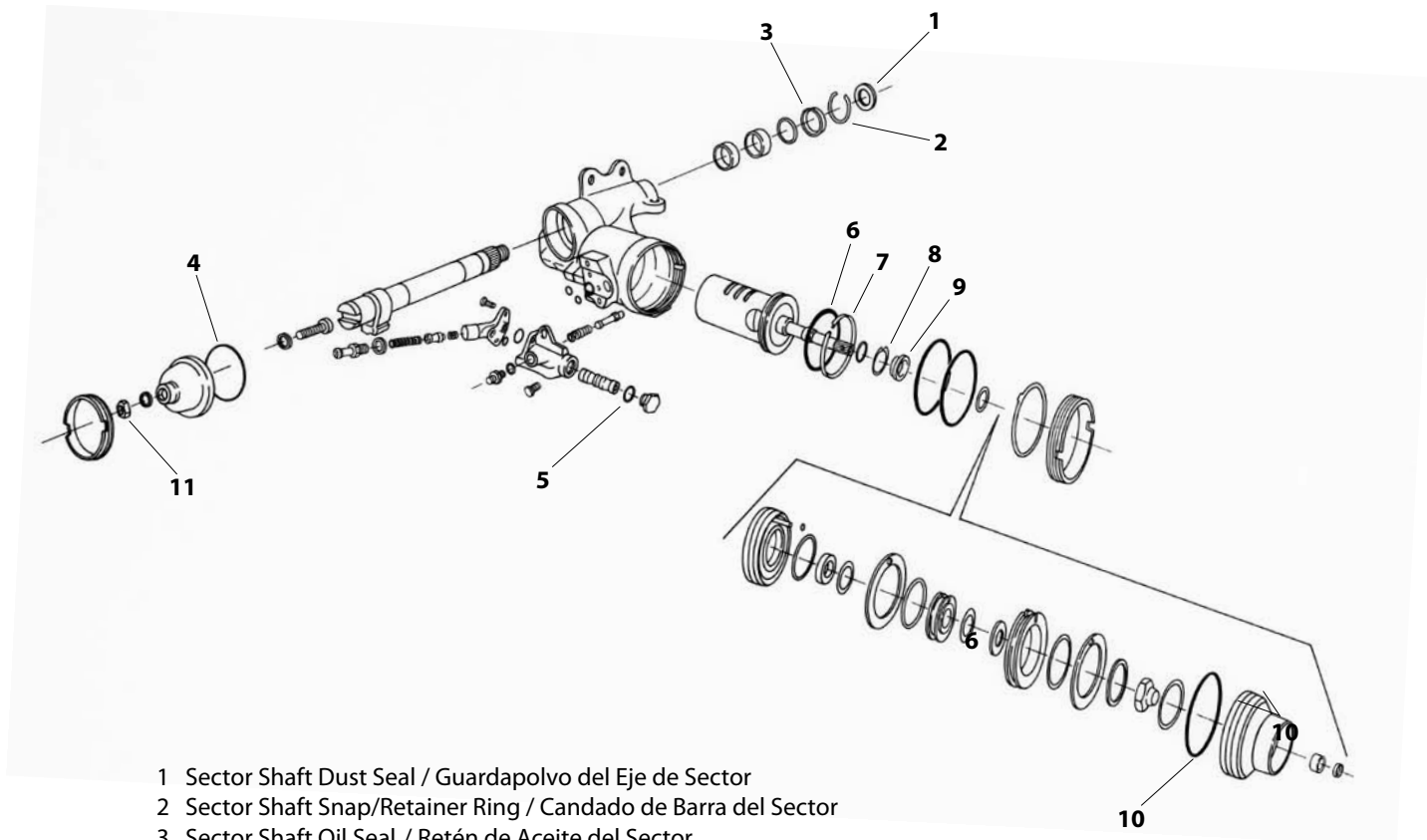
Make	Model	Year	Description	TransTec® No.
Toyota	Solara	2002-2004	6-Cyl.	8107
		2002-2004	4 Cyl.	8542
		1999-2001	(6/98-7/01)	8299
	Supra	1993-1997	Liftback (5/93-97)	8416
		1988-1993	All (8/88-5/93)	8383
	Tercel	1997-1998	EL53 (8/96-1/98)	8416
		1995-1996	EL53 (9/94-8/96)	8386
		1990-1994	EL42 (9/90-9/94)	8386
		1989-1991	EL31, EF1 Only (8/88-9/90)	8244
		1983-1988	DLX, SR5 (8/82-1/88)	8243
Toyota Truck/ Van/SUV	4Runner	2003-2006	V6	8542
		2003-2006	V8	8299
		1996-2001	6 Cyl.	8299
		1996-2001	4 Cyl.	8416
		1992-1995	6 Cyl.	8386
		1989-1995	4 Cyl.	8389
		1989-1991	6 Cyl.	8244
		1986-1991		8389
	FJ Cruiser	2007	V6 4.0L	8542
	Highlander	2001-2007	4 Cyl.	8542
		2001-2007	6 Cyl.	8299
	Landcruiser	2003-2005		8650
		1993-1998	All (8/92-1/98)	8388
		1990-1992	All (90-8/92)	8386
		1988-1989	All (5/88-1/90)	8389
		1979-1987	6 Bolt (1/79-8/87)	8245
	Pickup	1992-1995	4WD, 6 Cyl. (8/91-2/95)	8386
		1990-1995	4WD, 4 Cyl. (8/89-7/95)	8389
		1988-1994	2WD, 4 Cyl. (8/88-1/95)	8389
		1989-1992	2WD & 4WD (8/88-8/92)	8244
		1989	4WD, 4 Cyl. (8/88-8/89)	8244
		1985	Gas	8389
		1984-1985	Diesel	8389
1979-1981		4WD (6 Bolt) (1/79-8/80)	8245	
Previa	1990-1997	1/90-7/97	8374	
Rav4	2001-2005		8542	
	1996-2000		8244	
Sequoia	2003-2005	2WD & 4WD	8299	
Sienna	1998-2005		8299	
T100	1994-1998	4 Cyl. (10/93-6/98)	8416	
	1994-1998	2WD & 4WD 6 Cyl. (8/94-6/98)	8299	
	1992-1994	2WD & 4WD 6 Cyl. (8/92-8/94)	8386	

Make	Model	Year	Description	TransTec® No.
Toyota Truck/ Van/SUV	Tacoma	2005	4 Cyl. & 6 Cyl.	8542
		2002-2004	2WD & 4WD 4Cyl	8641
		1995-2004	6 Cyl. 2WD & 4 WD	8299
		1995-2003	4 Cyl. 2WD & 4WD	8416
	Tundra	2005-2006	2WD & 4WD V8 4.7L (Except Double Cab)	8107
		2005-2006	2WD V6 4.0L	8542
		2004-2006	V8 4.7L (with double cab)	8650
		2003-2004	2WD & 4WD V8 4.7L & V6 3.4L (Except Double Cab)	8107
		1999-2002		8299
	Van	1984-1989	4 Bolt (8/83-1/90)	8247
	Landcruiser	2003-2007		8650
		1998-2002		8299
	Sequoia	2001-2002	2WD & 4WD	8299
	Volvo	850	1993-1997	
940 / 960		1991-1997		8476

Gear Seal Kits



Gear Seal Kits



- 1 Sector Shaft Dust Seal / Guardapolvo del Eje de Sector
- 2 Sector Shaft Snap/Retainer Ring / Candado de Barra del Sector
- 3 Sector Shaft Oil Seal / Retén de Aceite del Sector
- 4 Side Cover O-Ring / Liga de la Cubierta Lateral
- 5 Port O-Ring / Liga Conduutora
- 6 Piston Backup O-Ring / Liga del Pistón de Marcha Trasera
- 7 Piston Teflon / Teflón del Pistón
- 8 Input Shaft Snap/Retainer Ring / Candado de Barra de Entrada
- 9 Input Shaft Oil Seal / Retén de Aceite del Eje Impulsor
- 10 Valve Housing O-Ring / Liga de la Caja de Válvula
- 11 Sector Shaft Adjustor Nut / Tuerca de Ajuste de Barra del Secto

Make	Model	Year	Description	Gear Seal Kit	Complete Pitman Kit	Lower Pitman Kit	Adj. Plug Seal Kit
Acura Truck/Van/SUV	SLX	1997-1999		8478	-	-	-
		1996		8461	-	-	-
American Motors	Ambassador, Classic, Dpl, Marlin, Matador, Rebel, Rouge	1964-1978		8001	8004	8037	8017
		1979-1984		8044	8004	8037	8017
	American, AMX, Concord, Eagle, Gremlin, Hornet, Javelin, Rambler, Spirit	1964-1978		8001	8004	8037	8043
		1964-1978		8001	8004	8037	8043
Buick	Apollo	1973-1979	Apollo	8001	8004	8037	8017
	Centurion, Estate Wagon, Invicta, Limited, Wildcat	1979-1990	All (RWD)	8044	8004	8037	8043
		1977-1978		8001	8004	8037	8017
		1972-1976	455 Engine	8005	8004	8037	8017
		1972-1976	V-6, V-8 350 Engine	8001	8004	8037	8017
		1960-1971		8005	8004	8037	8017
	Century	1979-1981	4 Bolt Housing Cover	8044	8004	8037	8043
		1977-1981	Retaining Ring Housing Cover	8020	8018	8019	8017
		1977-1979	4 Bolt Housing Cover	8001	8004	8037	8017
		1961-1976		8001	8004	8037	8017
	Electra	1979-1984		8044	8004	8037	8043
		1977-1978		8001	8004	8037	8017
		1972-1976	350 Engine	8001	8004	8037	8017
		1972-1976	455 Engine	8005	8004	8037	8017
		1960-1971		8005	8004	8037	8017
	Gran Sport, Special, GS, Regal Sportwagon	1982-1987		8044	8004	8037	8043
		1979-1981	4 Bolt Cover	8044	8004	8037	8043
		1977-1981	Retaining Ring Cover	8020	8018	8019	8017
		1977-1978	4 Bolt Cover	8001	8004	8037	8043
		1961-1976		8001	8004	8037	8017
	Lesabre	1979-1990		8044	8004	8037	8043
		1977-1978		8001	8004	8037	8017
		1972-1976	350 Engine	8001	8004	8037	8017
		1972-1976	455 Engine	8005	8004	8037	8017
		1964-1971		8001	8004	8037	8017
		1960-1963		8005	8004	8037	8017
	Riviera	1979-1985		8044	8004	8037	8043
		1977-1978		8001	8004	8037	8017
1972-1976		350 Engine	8001	8004	8037	8017	
1972-1976		455 Engine	8005	8004	8037	8017	
1963-1971			8005	8004	8037	8017	
Roadmaster	1991-1996	Roadmaster	8044	8004	8037	8043	
Skyhawk	1979-1980	4 Bolt Cover	8044	8004	8037	8043	
	1977-1980	Retaining Ring Cover	8020	8018	8019	8017	
	1977-1978	4 Bolt Cover	8001	8004	8037	8017	
	1975-1976		8001	8004	8037	8017	
Skylark	1979	4 Bolt Cover	8044	8004	8037	8043	
	1977-1979	Retaining Ring Cover	8020	8018	8019	8017	
	1977-1978	4 Bolt Cover	8001	8004	8037	8017	
	1961-1976		8001	8004	8037	8017	

Make	Model	Year	Description	Gear Seal Kit	Complete Pitman Kit	Lower Pitman Kit	Adj. Plug Seal Kit	
Cadillac	Commercial Chassis, Deville, Fleetwood, Fleetwood 75 (Limo), Brougham	1993-1996		8052	8265	8266	8267	
		1986-1992	All (RWD)	8044	8004	8037	8043	
		1979-1985	All Except Commercial Chassis And Fleetwood Limousine	8044	8005	8037	8043	
		1979-1985	Commercial Chassis And Fleetwood Limousine	8045	8004	8037	8043	
		1977-1978	Deville, Fleetwood	8001	8004	8037	8017	
		1977-1978	All Except Deville, Fleetwood	8005	8004	8037	8017	
		1961-1976		8005	8004	8037	8017	
		1960	Late	8005	8004	8037	8017	
	Eldorado, Seville	1979-1985		8044	8004	8037	8043	
		1976-1978	Eldorado	8005	8004	8037	8017	
		1976-1978	Seville	8001	8004	8037	8017	
		1961-1975		8005	8004	8037	8017	
		1960	Late	8005	8004	8037	8017	
	Chevrolet	Belair, Biscayne, Caprice, Impala, Kingswood, Townsman	1991-1996		8203	8265	8266	8267
1979-1990				8044	8004	8037	8043	
1969-1978			454 Engine	8005	8004	8037	8017	
1969-1978			All Except 454 Engine	8001	8004	8037	8017	
1965-1968				8001	8004	8037	8017	
1955-1964				CVL	-	-	-	
Camaro, Z28			1988-1992	Except Touring Suspension (FE2)	8203	8265	8266	8267
		1988-1992	With Touring Suspension (FE2)	8044	8004	8037	8043	
		1984-1987		8044	8004	8037	8043	
		1979-1983	800 Gear	8044	8004	8037	8043	
		1977-1983	Model 605 Gear	8020	8018	8019	8017	
		1977-1978	800 Gear	8001	8004	8037	8017	
		1967-1976		8001	8004	8037	8017	
Chevelle, El Camino, Laguna, Malibu, Nomad		1985-1988		8044	8004	8037	8043	
		1979-1984	800 Gear	8044	8004	8037	8043	
		1977-1984	Model 605 Gear	8020	8018	8019	8017	
		1977-1978	800 Gear	8001	8004	8037	8017	
		1964-1976		8001	8004	8037	8017	
Chevy II, Nova		1979	With 800 Gear	8044	8004	8037	8043	
		1977-1979	With 605 Gear	8020	8018	8019	8017	
		1977-1978	With 800 Gear	8001	8004	8037	8017	
		1968-1976		8001	8004	8037	8017	
		1962-1967		CVL	-	-	-	
		1963-1982		CVL	-	-	-	
Corvette		1963-1982		CVL	-	-	-	
		Monte Carlo	1985-1988		8044	8004	8037	8043
			1979-1984	With 800 Gear	8044	8004	8037	8043
			1977-1984	With 605 Gear	8020	8018	8019	8017
			1977-1978	With 800 Gear	8001	8004	8037	8017
1970-1976				8001	8004	8037	8017	
Monza	1979-1980	With 800 Gear	8044	8004	8037	8043		
	1977-1980	With 605 Gear	8020	8018	8019	8017		
	1977-1978	With 800 Gear	8001	8004	8037	8017		
	1975-1976		8001	8004	8037	8017		

Make	Model	Year	Description	Gear Seal Kit	Complete Pitman Kit	Lower Pitman Kit	Adj. Plug Seal Kit
Chevrolet	Vega	1977	With 605 Gear	8020	8018	8019	8017
		1977	With 800 Gear	8001	8004	8037	8017
		1971-1976		8001	8004	8037	8017
Chevrolet Truck/Van/SUV	Astro	1997-2002		8052	8265	8266	8488
		1994-1996		8203	8265	8266	8267
		1985-1993		8044	8004	8037	8043
	C, R-Models (2WD), K, V-Models (4WD), 10, 1500 Series, P/U, Suburban, Blazer (full size), Tahoe	1997-1999	All Except Suburban	8052	8265	8266	8488
		1997-1999	Suburban With 5.7L (700 GEAR)	8052	8265	8266	8488
		1997-1999	Suburban With 6.5L DIESLE (700 GEAR)	8054	8265	8266	8488
		1988-1996	Aero Design Body (C-Model)	8175	8265	8266	8267
		1979-1987		8045	8004	8037	8043
		1968-1978		8005	8004	8037	8043
	C, R-Models (2WD) K, V-Models (4WD), 20, 2500, 30, 3500 Series, P/U, Suburban	1997-1999	8600 & 9000-12000 GVW (708 GEAR)	8054	8265	8266	8488
		1997-1999	7200 GVW (700 GEAR)	8052	8265	8266	8488
		1988-1996	Aero Design Body 8600 GVW	8175	8265	8266	8267
		1988-1996	Aero Design 7200 GVW	8203	8265	8266	8267
		1988-1991	Early Design (R Model) 8600 GVW	8045	8004	8037	8043
		1988-1991	Early Design (R Model) 7200 GVW	8044	8004	8037	8043
	Full Size Truck	1999-2006	Full size truck with 3 bolt valve housing	8081	-	-	-
		1999-2006	Full size truck with 4 bolt valve housing	8686	-	-	-
	G-Models(van), 10, 1500, 20, 2500, 30, 3500 Series, Cutaway Express, Forward Control, Cab, Rally Sportvan and Vandura	1997-1999	G10-1500, G20-2500 7300 GVW	8052	8265	8266	8488
		1997-1999	G30-3500, G20-2500 7700-8600 GVW	8054	8265	8266	8488
		1994-1996	G10-1500, G20-2500 7300 GVW	8203	8265	8266	8267
1994-1996		G30-3500, G20-2500 7700-8600 GVW	8175	8265	8266	8267	
1979-1993			8045	8004	8037	8043	
1971-1978			8005	8004	8037	8017	
P-Models (Forward Control)	1997-1999		8054	8265	8266	8488	
	1994-1996		8175	8265	8266	8267	
	1979-1993		8045	8004	8037	8043	
S10, S10 Blazer (2WD & 4WD)	1997-1999	All	8052	8265	8266	8488	
	1994-1996	All	8203	8265	8266	8267	
	1982-1993	All	8044	8004	8037	8043	
Medium Duty, Saginaw Dual Piston, Model 710	1983-1990	Saginaw Dual Piston, Model 710, Early Style Sector Seal	8092	8268	8151	8269	
Medium Duty, Saginaw Dual Piston, Model 710 Metric	1991-1998	Saginaw Dual Piston, Model 710	8295	-	-	-	
Silverado 1500	1999-2000	K Model (4WD)	8081	8265	8266	8488	
Chrysler	Cordoba	1975-1983		8015	8040	8035	8053
	Crown (Imperial)	1958-1978		8015	8040	8035	8053
	E Class	1979-1982		8015	8040	8035	8053
	Fifth Avenue, Imperial	1979-1989		8015	8040	8035	8053
	Lebaron, Lebaron GTS, Limousine, Town & Country	1958-1988		8015	8040	8035	8053
	New Yorker	1958-1982		8015	8040	8035	8053
	Newport	1958-1983		8015	8040	8035	8053

Make	Model	Year	Description	Gear Seal Kit	Complete Pitman Kit	Lower Pitman Kit	Adj. Plug Seal Kit
Dodge	Aspen, Dart, Demon, GTS, Swinger, Diplomat	1973-1989		8015	8040	8035	8053
		1963-1972		8008	8041	8036	8053
	Charger	1973-1979		8015	8040	8035	8053
		1965-1972		8008	8041	8036	8053
	Coronet	1973-1979		8015	8040	8035	8053
		1965-1972		8008	8041	8036	8053
1958-1964			8015	8040	8035	8053	
Custom 880, Polara, Royal Monaco	1965-1977		8015	8040	8035	8053	
	1962-1964	Except 880	8008	8041	8036	8053	
	1958-1964	880	8015	8040	8035	8053	
Magnum XE, Mirada, St. Regis, Super Bee, Challenger (Domestic)	1973-1983		8015	8040	8035	8053	
	1965-1972		8008	8041	8036	8053	
Monaco	1958-1978		8015	8040	8035	8053	
Dodge Truck/Van/ SUV	B-Models (1/2 - 1 Ton) Van, Mini Motor Home	1985-1992		8045	8004	8037	8043
		1971-1984		8015	8040	8035	8053
	D50 Pickup	1987-1992	4WD	8367	-	-	-
		1984-1992	2WD	8371	-	-	-
	Dakota - 4WD	1987-1992	Dakota - 4WD	8045	8004	8037	8043
	Durango	1998-1999		8054	-	-	8488
	Pickup	1972-1992	1/2 - 1 Ton	8045	8004	8037	8043
	Pickup 4WD	1972-1993	1/2 - 1 Ton	8045	8004	8037	8043
	Raider	1987-1989	Raider	8366	-	-	-
	Ram 1500, 2500, 3500	1994-1998		8054	8265	8266	8488
	Ram 2500, 3500	1999-2001		8054			
Ram Charger 2WD & 4WD	1972-1993	1/2 to 1 Ton	8045	8004	8037	8043	
Ford	Cobra, Elite, Fairlane, Torino, LTD II, Ranch Wagon	1978-1979	With Ford Gear	8229	8227	8262	8583
		1978-1979	With Saginaw Gear	8044	8004	8037	8043
		1975-1977	Ford Gear, Old Style Pitman Seals	8016	8030	8031	8583
		1975-1977	With Ford Gear	8022	8021	8023	8583
		1972-1974	Ford Gear, Rotary Valve	8022	8021	8023	8583
		1972-1974	Ford Gear, Rotary Valve, Ford Gear, Spool Valve (Tag #SPA-AA)	8014	8030	8031	8583
		1972-1977	With Saginaw Gear	8001	8004	8037	8017
		1962-1971		CVL	-	-	-
	Country Sedan, Country Squire, Crown Victoria, Custom Galaxie	1997-2002		8459	8442	8443	8583
		1978-1996	With Ford Gear	8229	8227	8262	8583
		1975-1977	Ford Gear, Old Style Pitman Seals	8016	8030	8031	8583
		1975-1977	Ford Gear, With Ford Slipper Pump	8229	8227	8262	8583
		1975-1977	Ford Gear, With Saginaw Pump	8022	8021	8023	8583
		1974	Ford Gear, Rotary Valve	8022	8021	8023	8583
		1974	Ford Gear, Rotary Valve, Old Style Pitman Seals	8016	8030	8031	8583
		1974	Ford Gear, Spool Valve (Tag # SPA-AA)	8014	8030	8031	8583
		1970-1973		8014	8030	8031	8583
		1965-1969	With Ford Gear	8014	8030	8031	8583
		1965-1969	With Saginaw Gear	8001	8004	8037	8017
		1958-1964		CVL	-	-	-

Make	Model	Year	Description	Gear Seal Kit	Complete Pitman Kit	Lower Pitman Kit	Adj. Plug Seal Kit		
Ford	Falcon	1963-1970	Falcon	CVL	-	-	-		
	Granada	1975-1980	Granada	CVL	-	-	-		
	LTD, LTD Wagon	1979-1986			8229	8227	8262	8583	
		1975-1978	Ford Gear		8229	8227	8262	8583	
		1975-1977	Ford Gear, Old Style Pitman Seals		8016	8030	8031	8583	
		1975-1977	Ford Gear, With Saginaw Pump		8022	8021	8023	8583	
		1974	Ford Gear, Rotary Valve		8022	8021	8023	8583	
		1974	Ford Gear, Rotary Valve, Old Style Pitman Seals		8016	8030	8031	8583	
		1974	Ford Gear, Spool Valve (Tag # SPA-AA)		8014	8030	8031	8583	
		1970-1973			8014	8030	8031	8583	
		1965-1969	With Ford Gear		8014	8030	8031	8583	
		1965-1969	With Saginaw Gear		8001	8004	8037	8017	
		1958-1964			CVL	-	-	-	
	Maverick	1970-1977			CVL	-	-	-	
	Mustang	1971-1973	Mach 1		8044	-	-	-	
		1964-1970	Grande, Mach 1		CVL	--	-	-	
	Thunderbird	1978-1979	With Ford Gear		8229	8227	8262	8583	
		1978-1979	With Saginaw Gear		8044	8004	8037	8043	
		1977	With Ford Gear		8022	8021	8023	8583	
		1977	With Saginaw Gear		8001	8004	8037	8017	
		1975-1977	Ford Gear, Old Style Pitman Seals		8016	8030	8031	8583	
		1975-1976			8022	8021	8023	8583	
		1973-1974	Ford Gear, Rotary Valve		8022	8021	8023	8583	
		1973-1974	Ford Gear, Rotary Valve, Old Style Pitman Seals		8016	8030	8031	8583	
		1973-1974	Ford Gear, Spool Valve (Tag # SPA-AA)		8014	8030	8031	8583	
		1965-1972			8014	8030	8031	8583	
		1958-1964			CVL	-	-	-	
	Ford Truck/Van/SUV	Bronco (Full Size)	1980-1996		8229	8227	8262	8583	
			1978-1979		8016	8030	8031	8583	
			1972-1977		8001	8004	8037	8017	
		Bronco II, Ranger	1983-1997		8229	8227	8262	8583	
		E - Models (100 - 350)	1997-2002	E150, E250, E350, E Superduty With FGAWR Less than 4200 lbs. (8 Splines Between Blocked Teeth On Sector Shaft)		8459	8442	8443	8583
			1997-2002	E150, E250, E350, E Superduty With FGAWR Greater than 4200 lbs. (9 Splines Between Blocked Teeth On Sector Shaft)		8484	8502	8504	-
1996			E250, E350, E Superduty With FGAWR Greater than 4200lbs.		8330	-	8345	-	
1992-1995			E250, E350 With 7.3L Diesel, 7.5 Gas		8330	-	8345	-	
1982-1996			All Except 7.3L Diesel, 7.5 Gas		8229	8227	8262	8583	
1979-1982			All (1979-2/82)		8045	8004	8037	8043	
1975-1978					8001	8004	8037	8017	
1971-1974					CVL	-	-	-	
Excursion		2004-2006	With 11 splines between blocked teeth on sector shaft		8675	-	-	-	
		2003-2005	with 9 splines between blocked teeth on sector shaft		8484	-	-	-	
		2000-2002	With 9 Splines between blocked teeth on sector		8484	-	-	-	
		2000-2002	With 8 Splines between blocked teeth on sector		8459	-	-	-	
Expedition		1997-2002		8459	8442	8443	8583		
Explorer		1991-1994		8229	8227	8262	8583		

Make	Model	Year	Description	Gear Seal Kit	Complete Pitman Kit	Lower Pitman Kit	Adj. Plug Seal Kit	
Ford Truck/Van/ SUV	F - Models (100 - 350) 2WD	1973-1974	Ford Gear, Spool Valve (Tag # SPA-AA)	8014	8030	8031	8583	
	F - Models (100 - 550) & Super Duty 2WD	2004-2007	With 11 splines between blocked teeth on sector shaft	8675	-	-	-	
		1997-2004	F250,F350,F450,F550 (All SuperDuty), With 8 Splines Between Blocked Teeth On Sector Shaft	8459	8442	8443	8583	
		1997-2004	F250,F350,F450,F550 (All SuperDuty), With 9 Splines Between Blocked Teeth On Sector Shaft	8484	8502	8504	-	
		1980-1996		8229	8227	8262	8583	
		1975-1979		8022	8021	8023	8583	
		1975-1977	Ford Gear, Old Style Pitman Seals	8016	8030	8031	8583	
		1973-1974	Ford Gear, Rotary Valve	8022	8021	8023	8583	
		1973-1974	Ford Gear, Rotary Valve, Old Style Pitman Seals	8016	8030	8031	8583	
		1970-1972		8014	8030	8031	8583	
		1967-1969	With Ford Gear	8014	8030	8031	8583	
	F - Models (100 - 550) & Super Duty 4WD	2004-2006	With 11 splines between blocked teeth on sector shaft	8675	-	-	-	
		1997-2004	All With 8 splines between blocked teeth on sector shaft	8459	8442	8443	8583	
		1997-2004	All With 9 splines between blocked teeth on sector shaft	8484	8502	8504	-	
		1980-1996		8229	8227	8262	8583	
		1976-1979		8022	8021	8023	8583	
		1975-1977	Old Style Pitman Seals	8016	8030	8031	8583	
	F150	1997-2003	With 9 splines between blocked teeth on sector shaft	8459	8442	3443	8538	
	F150	1997-2003	With 9 splines between blocked teeth on sector shaft	8484	8502	8504		
	Ranchero	1978-1979	With Ford Gear	8229	8227	8262	8583	
		1978-1979	With Saginaw Gear	8044	8004	8037	8043	
		1975-1977	With Ford Gear	8022	8021	8023	8583	
		1975-1977	Ford Gear, Old Style Pitman Seals	8016	8030	8031	8583	
		1972-1977	With Saginaw Gear	8001	8004	8037	8017	
		1972-1974	Ford Gear, Rotary Valve	8022	8021	8023	8583	
		1972-1974	Ford Gear, Rotary Valve, Old Style Pitman Seals	8016	8030	8031	8583	
		1972-1974	Ford Gear, Spool Valve (Tag # SPA-AA)	8014	8030	8031	8583	
		1963-1971		CVL	-	-	-	
	Geo	Tracker	1989-1998		8124	-	-	-
	GMC Truck/ Van/SUV	C, R-Models (2WD) K, V-Models (4WD) 10, 1500 Series P/U, Suburban, Yukon	1997-1999	All Except Suburban	8052	8265	8266	8488
			1997-1999	Suburban With 5.7L (700 Gear)	8052	8265	8266	8488
1997-1999			Suburban With 6.5L Diesel (708 Gear)	8054	8265	8266	8488	
1988-1996			Aero Design Body (C-Model)	8203	8265	8266	8267	
1979-1987				8045	8004	8037	8043	
1968-1978				8005	8004	8037	8017	
C, R-Models (2WD) K, V-Models (4WD) 20, 2500, 30, 3500 Series P/U, Suburban, Yukon		1997-1999	7200 GVW (700 GEAR)	8052	8265	8266	8488	
		1997-1999	8600 & 9000-12000 GVW (708 GEAR)	8054	8265	8266	8488	
		1992-1996	Aero Design Body 8600 LB GVWR	8175	8265	8266	8267	
		1992-1996	Aero Design Body Except 8600 LB GVWR	8203	8265	8266	8267	
		1988-1991	Early Design Body (R-Model) 8600 GVW	8045	8004	8037	8043	
		1998-1991	Early Design Body (R-Model) 7200 GVW	8044	8007	8037	8043	

Make	Model	Year	Description	Gear Seal Kit	Complete Pitman Kit	Lower Pitman Kit	Adj. Plug Seal Kit
GMC Truck/ Van/SUV	Caballero, Sprint	1985-1988		8044	8004	8037	8043
		1979-1984	800 Gear	8044	8004	8037	8043
		1977-1984	605 Gear	8020	8018	8019	8017
		1977-1978	800 Gear	8001	8004	8037	8017
		1971-1976		8001	8004	8037	8017
	Full Size Truck	1999-2006	Full size truck with 3 bolt valve housing	8081	-	-	-
		1999-2006	Full size truck with 4 bolt valve housing	8686	-	-	-
	G-Models (Van), 1500, 2500, 3500 Series, Cutaway, Forward, Control Cab, Rally, Savana, Vandura	1997-1999	G1500 G2500 7300 GVW	8052	8265	8266	8488
		1997-1999	G3500 G2500 7700-8600 GVW	8054	8265	8266	8488
		1979-1992		8045	8004	8037	8043
		1971-1978		8005	8004	8037	8017
	P-Models (Forward Control)	1997-1999		8054	8265	8266	8488
		1994-1996		8175	8265	8266	8267
		1979-1993		8045	8004	8037	8043
	S-Models, S15, S15 Jimmy, Sonoma, Envoy (2WD & 4WD)	1997-1999		8052	8265	8266	8488
1994-1996			8203	8265	8266	8267	
1982-1996			8044	8004	8037	8043	
Safari	1997-1999		8052	8265	8266	8488	
	1994-1996		8203	8265	8266	8267	
	1985-1993		8044	8004	8037	8043	
Sierra 1500	1999-2000	4WD Only	8081	8265	8266	8488	
	1999-2000	4WD only with 3 bolt valve housing	8081				
Honda Truck/Van/SUV	Passport	1994-1997		8461	-	-	-
Hummer	H2	2003		8175	8265	8266	8267
Isuzu Truck/Van/SUV	Amigo	1989-1995		8461	-	-	-
	Hombre	1996-1997		8203	-	-	-
	NPR	1987-1999		8632			
	Pickup	1988-1995		8461	-	-	-
	Rodeo	1991-1997		8461	-	-	-
	Trooper	1997-2001		8478	-	-	-
		1986-1996	2-door and 4-door	8461	-	-	-
Vehicross 2-Door	1999-2001		8478	-	-	-	
Jeep	Cherokee, Comanche, Wagoneer	1996-2001		8052	8265	8266	8488
		1979-1995		8044	8004	8037	8043
		1970-1978		8001	8004	8037	8017
	Dispatcher, Renegade, Universal	1979-1986		8044	8004	8037	8043
		1972-1978		8001	8004	8037	8017
	Grand Cherokee	1999-2003		8081	8265	8266	-
1996-1998			8052	8265	8266	8488	
1993-1995			8044	8004	8037	8043	

Make	Model	Year	Description	Gear Seal Kit	Complete Pitman Kit	Lower Pitman Kit	Adj. Plug Seal Kit
Jeep	Grand Wagoneer, J-10, J-20 (Full Size Truck)	1979-1992	All Except J-20	8044	8004	8037	8043
		1979-1992	J-20	8001	8004	8037	8017
		1976-1978	All Except J-20	8001	8004	8037	8017
		1976-1978	J-20	8005	8004	8037	8017
		1970-1975		8001	8004	8037	8017
	Wrangler	1997-2001 2003-2005		8052 8671	8265 -	8266 -	8488 -
KIA	Sportage	1999-2000		8699			
Lexus	LX450	1995-1998	(11/95-98)	8413	-	-	-
Lincoln	Continental	1978-1987		8229	8227	8262	8583
		1975-1977		8022	8021	8023	8583
		1975-1977	Ford Gear, Old Style Pitman Seals	8016	8030	8031	8583
		1972-1974	Ford Gear, Rotary Valve	8022	8021	8023	8583
		1972-1974	Ford Gear, Rotary Valve, Old Style Pitman Seals	8016	8030	8031	8583
		1972-1974	Ford Gear, Spool Valve (Tag # SPA-AA)	8014	8030	8031	8583
		1965-1971		8014	8030	8031	8583
	Mark III, Mark IV, Mark V, Mark VI, Towncar	1978-1995		8229	8227	8262	8583
		1975-1977		8022	8021	8023	8583
		1975-1977	Ford Gear, Old Style Pitman Seals	8016	8030	8031	8583
		1972-1974	Ford Gear, Rotary Valve	8022	8021	8023	8583
		1972-1974	Ford Gear, Rotary Valve, Old Style Pitman Seals	8016	8030	8031	8583
		1972-1974	Ford Gear, Spool Valve (Tag # SPA-AA)	8014	8030	8031	8583
	1965-1971		8014	8030	8031	8583	
Towncar	1996-2002		8459	8442	8443	8583	
Versailles	1977-1980		CVL	-	-	-	
Lincoln Truck/Van/SUV	Navigator	1998-1999		8459	8442	8443	8583
Mazda	RX7	1984-1985		8462	-	-	-
Mazda Truck/Van/SUV	B2000	1986-1991	(4/86-12/91)	8462	-	-	-
	B2200 & B2600	1991-1995		8462	-	-	-
	B2300, B3000, B4000	1994-1997		8078	-	-	-
	Navajo	1991-1994		8229	-	-	8583

Make	Model	Year	Description	Gear Seal Kit	Complete Pitman Kit	Lower Pitman Kit	Adj. Plug Seal Kit
Mercury	Caliente, Capri, Comet, Cyclone, Villager, Voyager	1963-1967		CVL	-	-	-
	Colony Park, Commuter, Montclair, Monterey, Parklane, Marauder	1979-1992		8229	8227	8262	8583
		1978	Ford Gear	8229	8227	8262	8583
		1975-1977	Ford Gear	8022	8021	8023	8583
		1975-1977	Ford Gear, Old Style Pitman Seals	8016	8030	8031	8583
		1973-1974	Ford Gear, Rotary Valve	8022	8021	8023	8583
		1973-1974	Ford Gear, Rotary Valve, Old Style Pitman Seals	8016	8030	8031	8583
		1973-1974	Ford Gear, Spool Valve (Tag # SPA-AA)	8014	8030	8031	8583
		1966-1972		8014	8030	8031	8583
		1965	Ford Gear	8014	8030	8031	8583
		1965	Saginaw Gear	8001	8004	8037	8017
1959-1964		CVL	-	-	-		
Mercury	Cougar, Eliminator, XR-7 (RWD)	1978-1979	With Ford Gear	8229	8227	8262	8583
		1974-1979	With Saginaw Gear	8001	8004	8037	8017
		1975-1977	Ford Gear, Old Style Pitman Seals	8016	8030	8031	8583
		1975-1977	With Ford Gear	8022	8021	8023	8583
		1974	Ford Gear, Rotary Valve	8022	8021	8023	8583
		1974	Ford Gear, Rotary Valve, Old Style Pitman Seals	8016	8030	8031	8583
		1974	Ford Gear, Spool Valve (Tag # SPA-AA)	8014	8030	8031	8583
		1971-1973		8001	8004	8037	8017
	1967-1970		CVL	-	-	-	
	Cyclone, Montego, MX	1975-1976	Ford Gear, Old Style Pitman Seals	8016	8030	8031	8583
		1975-1976	With Ford Gear	8022	8021	8023	8583
		1972-1976	With Saginaw Gear	8001	8004	8037	8017
		1972-1974	Ford Gear, Rotary Valve	8022	8021	8023	8583
		1972-1974	Ford Gear, Rotary Valve, Old Style Pitman Seals	8016	8030	8031	8583
		1972-1974	Ford Gear, Spool Valve (Tag # SPA-AA)	8014	8030	8031	8583
		1968-1971		CVL	-	-	-
	Grand Marquis, Marquis	1997-2002		8459	8442	8443	8583
		1978-1996		8229	8227	8262	8583
		1975-1977	Ford Gear	8022	8021	8023	8583
		1975-1977	Ford Gear, Old Style Pitman Seals	8016	8030	8031	8583
		1973-1974	Ford Gear, Rotary Valve	8022	8021	8023	8583
		1973-1974	Ford Gear, Rotary Valve, Old Style Pitman Seals	8016	8030	8031	8583
		1973-1974	Ford Gear, Spool Valve (Tag # SPA-AA)	8014	8030	8031	8583
		1966-1972		8014	8030	8031	8583
		1965	Ford Gear	8014	8030	8031	8583
		1965	Saginaw Gear	8001	8004	8037	8017
		1959-1964		CVL	-	-	-
		Meteor	1962-1963	Meteor	CVL	-	-
Monarch	1975-1980	Monarch	CVL	-	-	-	
Mitsubishi	Starion	1983-1989	Starion	8371	-	-	-

Make	Model	Year	Description	Gear Seal Kit	Complete Pitman Kit	Lower Pitman Kit	Adj. Plug Seal Kit	
Mitsubishi Truck/Van/SUV	2WD Pickup	1984-1992	2WD Pickup	8371	-	-	-	
	4WD Pickup	1987-1991		8367	-	-	-	
		1983-1986		8418	-	-	-	
	Montero	1997-2003	Sport	8419	-	-	-	
		1994-2000		8419	-	-	-	
		1992-1993	All (11/91-7/93)	8405	-	-	-	
		1990-1991	All (1/90-11/91)	8401	-	-	-	
1983-1989		All (7/83-89)	8366	-	-	-		
Nissan Truck/Van/SUV	D21 Truck	1994-1997	4WD (7/93-8/97)	8088	-	-	-	
		1986-1997	2WD 4 Cyl.	8060	-	-	-	
		1986-1997	2WD 6 Cyl.	8409	-	-	-	
	Frontier	2000-2005	2WD & 4WD	8081	-	-	-	
		1999	2WD 6 Cyl.	8088	-	-	-	
		1999	4WD, 4 Cyl. & 6 Cyl.	8088	-	-	-	
		1998-1999	2WD 4 Cyl.	8409	-	-	-	
		1998	4WD, 4 Cyl.	8088	-	-	-	
	Pathfinder	1993-1995		8088	-	-	-	
		1991-1992		8084	-	-	-	
		1986-1990		8460	-	-	-	
	Truck	1991-1993	4WD 6 Cyl.	8084	-	-	-	
	Xterra	2000-2005	2WD & 4WD	8081	-	-	-	
1999			8088	-	-	-		
Oldsmobile	98 Regency	1979-1984		8044	8004	8037	8043	
		1977-1978		8001	8004	8037	8017	
		1961-1976		8005	8004	8037	8017	
		1960	Early	N/A	8004	8037	8017	
		1960	Late	8005	8004	8037	8017	
	Custom Cruiser, Delmont, Dynamic, Jetstar I, Jetstar 88, Royale, Starfire (1961-66)	1979-1992			8044	8004	8037	8043
		1977-1978			8001	8004	8037	8017
		1972-1976	400 & 455 With Air		8001	8004	8037	8017
		1972-1976	All Except 400 & 455 Without Air		8005	8004	8037	8017
		1968-1971			8005	8004	8037	8017
		1964-1967	All Except Jetstar 88		8005	8004	8037	8017
		1964-1967	Jetstar 88 (Up To 1966)		8001	8004	8037	8017
		1961-1963			8005	8004	8037	8017
		1960	Early		N/A	8004	8037	8017
		1960	Late		8005	8004	8037	8017
	Cutlass Cierra, Omega	1979	800 Gear		8044	8004	8037	8043
		1977-1979	605 Gear		8020	8018	8019	8017
		1977-1978	800 Gear		8001	8004	8037	8017
		1973-1976			8001	8004	8037	8017

Make	Model	Year	Description	Gear Seal Kit	Complete Pitman Kit	Lower Pitman Kit	Adj. Plug Seal Kit	
Oldsmobile	Cutlass, Cutlass Supreme, F-85, Jetfire, Vista Cruiser, 442	1985-1988	All (RWD)	8044	8004	8037	8043	
		1978-1984	800 Gear	8044	8004	8037	8043	
		1977-1984	605 Gear	8020	8018	8019	8017	
		1977	800 Gear	8001	8004	8037	8017	
		1961-1976		8001	8004	8037	8017	
	Delta 88	1979-1985			8044	8004	8037	8043
		1977-1978			8001	8004	8037	8017
		1972-1976	400 & 455 With Air		8001	8004	8037	8017
		1972-1976	All Except 400 & 455 Without Air		8005	8004	8037	8017
		1961-1971			8005	8004	8037	8017
		1960	Early		N/A	8004	8037	8017
		1960	Late		8005	8004	8037	8017
	Starfire	1979-1980	800 Gear		8044	8004	8037	8043
		1977-1980	605 Gear		8020	8018	8019	8017
		1977-1978	800 Gear		8001	8004	8037	8017
		1975-1976			8001	8004	8037	8017
	Toronado	1979-1985			8044	8004	8037	8043
		1966-1978			8005	8004	8037	8017
	Oldsmobile Truck/Van/SUV	Bravada	1997-1998		8052	8265	8266	8488
			1994-1996		8203	8265	8266	8267
1991-1993				8044	8004	8037	8043	
Plymouth	Barracuda	1973-1974		8015	8040	8035	8053	
		1964-1972		8008	8041	8036	8053	
	Belvedere	1962-1970		8008	8041	8036	8053	
		1961		8015	8040	8035	8053	
	Caravelle	1982		8015	8040	8035	8053	
	Duster, Signet, Valiant, Volare	1973-1979		8015	8040	8035	8053	
		1962-1972		8008	8041	8036	8053	
	Fury, Grand Fury, Savoy, VIP	1965-1989		8015	8040	8035	8053	
		1962-1964		8008	8041	8036	8053	
		1958-1961		8015	8040	8035	8053	
Grande Coupe, GTX, Regent, Roadrunner, Satellite, Sebring	1973-1978		8015	8040	8035	8053		
	1969-1972		8008	8041	8036	8053		
	1965-1966		8008	8041	8036	8053		
Scamp	1973-1979		8015	8040	8035	8053		
	1962-1972		8008	8041	8036	8053		
Plymouth Truck/Van/SUV	Trail Duster	1974-1983	2WD & 4WD	8045	8004	8037	8043	
	Voyager	1974-1983	Full Size	8015	8040	8035	8053	
Pontiac	Astre	1977	605 Gear	8020	8018	8019	8017	
		1977	800 Gear	8001	8004	8037	8017	
		1975-1977		8001	8004	8037	8017	

Make	Model	Year	Description	Gear Seal Kit	Complete Pitman Kit	Lower Pitman Kit	Adj. Plug Seal Kit
Pontiac	Bonneville	1984-1989		8044	8004	8037	8043
		1982-1983	605 Gear	8020	8018	8019	8017
		1982-1983	800 Gear	8044	8004	8037	8043
		1979-1981		8044	8004	8037	8043
		1976-1978		8001	8004	8037	8017
		1961-1975		8005	8004	8037	8017
		1960	Early	N/A	8004	8037	8017
		1960	Late	8005	8004	8037	8017
	Catalina, Executive, Grandville, Parisienne, Safari, Starchief, 2 + 2	1985-1990		8044	8004	8037	8043
		1979-1981		8044	8004	8037	8043
		1976-1978		8001	8004	8037	8017
		1969-1975	All Except Catalina Without Air	8005	8004	8037	8017
		1969-1975	Catalina Without Air	8001	8004	8037	8017
		1967-1968	All Except Catalina & 2 + 2 Without Air	8005	8004	8037	8017
		1967-1968	Catalina & 2 + 2 Without Air	8001	8004	8037	8017
		1964-1966	All Except Catalina Without Air	8005	8004	8037	8017
		1964-1966	Catalina Without Air	8001	8004	8037	8017
		1961-1963		8005	8004	8037	8017
		1960	Late	8005	8004	8037	8017
	Esprit, Firebird, Formula, Trans Am	1988-1992	6 Cyl. 3.4L Engine	8203	8265	8266	8267
		1988-1992	6 Cyl. 3.8L Engine	8044	8004	8037	8043
		1988-1992	8 Cyl., All Except F41 or FE2	8203	8265	8266	8267
		1988-1992	8 Cyl., With F41 or FE2	8044	8004	8037	8043
		1984-1987		8044	8004	8037	8043
		1979-1983	All Except 2.5L Engine, 800 Gear	8044	8004	8037	8043
		1977-1983	All Except 2.5L Engine, 605 Gear	8020	8018	8019	8017
		1977-1978	800 Gear	8001	8004	8037	8017
		1967-1976		8001	8004	8037	8017
	Grand Am	1979-1987	800 Gear	8044	8004	8037	8043
		1977-1985	605 Gear	8020	8018	8019	8017
		1977-1978	800 Gear	8001	8004	8037	8017
		1964-1976		8001	8004	8037	8017
		1961-1963		CVL	-	-	-
	Grand Prix	1984-1987		8044	8004	8037	8043
		1979-1983	800 Gear	8044	8004	8037	8043
		1977-1983	605 Gear	8020	8018	8019	8017
		1977-1978	800 Gear	8001	8004	8037	8017
		1969-1976		8001	8004	8037	8017
		1961-1968		8005	8004	8037	8017
		1960	Late	8005	8004	8037	8017
	GTO, Tempest	1979-1981	800 Gear	8044	8004	8037	8043
		1977-1981	605 Gear	8020	8018	8019	8017
		1977-1978	800 Gear	8001	8004	8037	8017
		1964-1976		8001	8004	8037	8017
		1961-1963		CVL	-	-	-

Make	Model	Year	Description	Gear Seal Kit	Complete Pitman Kit	Lower Pitman Kit	Adj. Plug Seal Kit
Pontiac	Lemans	1979-1987	800 Gear	8044	8004	8037	8043
		1977-1985	605 Gear	8020	8018	8019	8017
		1977-1978	800 Gear	8001	8004	8037	8017
		1964-1976		8001	8004	8037	8017
		1961-1963		CVL	-	-	-
	Phoenix	1979	800 Gear	8044	8004	8037	8043
		1977-1979	605 Gear	8020	8018	8019	8017
		1977-1978	800 Gear	8001	8004	8037	8017
		1971-1976		8001	8004	8037	8017
	Sunbird	1979-1980	800 Gear	8044	8004	8037	8043
		1977-1980	605 Gear	8020	8018	8019	8017
		1977-1978	800 Gear	8001	8004	8037	8017
		1976		8001	8004	8037	8017
	Ventura	1977	605 Gear	8020	8018	8019	8017
		1977	800 Gear	8001	8004	8037	8017
1971-1976			8001	8004	8037	8017	
1961-1970			8005	8004	8037	8017	
Suzuki Truck/Van/SUV	Sidekick	1996-1998	1.6L 2WD & 4WD	8124	-	-	-
		1989-1995		8124	-	-	-
	Sidekick Sport	1996-1998	4WD	8124	-	-	-
	X90	1996-1998	2WD & 4WD	8124	-	-	--
Toyota	Corolla	1980-1982	8/79-8/82	8380	-	-	-
	Cressida	1981-1984		8380	-	-	-
Toyota Truck/Van/SUV	4Runner	1991-1995	All (9/91-9/95)	8123	-	-	-
		1989-1991	All (4/89-8/91)	8339	-	-	-
		1986-1989	All (1986-3/89)	8372	-	-	-
		1984-1985	4WD 4 Cyl.	8385	-	-	-
		1984-1985	4WD 4 Cyl. Diesel	8385	-	-	-
	Landcruiser	1990-1998	All (1/90-1/98)	8413	-	-	-
		1984-1990	All (11/84-1/90)	8364			
		1979-1980		8370	-	-	-
	Pickup - 2WD	1989-1995	2WD (8/88-1/95)	8451	-	-	-
		1986-1989	4 Cyl. With Turbo	8369	-	-	-
		1986-1989	4 Cyl. Without Turbo Standard Suspension	8379	-	-	-
		1984-1989	4 Cyl. Without Turbo Hd Suspension	8381	-	-	-
		1984-1985	Without Turbo Standard Suspension	8369	-	-	-
Pickup - 4WD	1991-1995	All (9/91-9/95)	8123	-	-	-	
	1989-1991	All (4/89-8/91)	8339	-	-	-	
	1986-1989	All (1986-3/89)	8372	-	-	-	
	T100	1993-1998	4WD 8/92-7/98	8123	-	-	-
	Van	1983-1985	Van (8/83-8/85)	8380	-	-	-

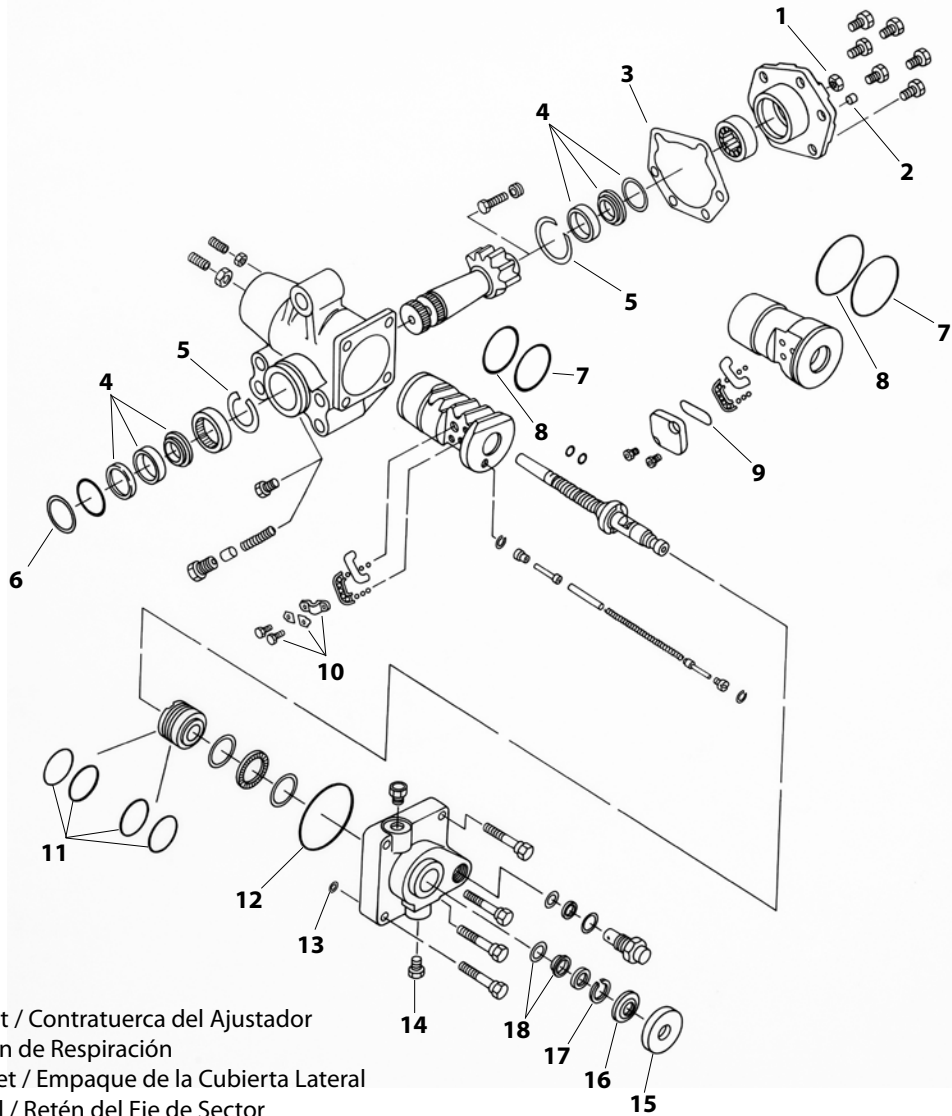
Make	Model/Year	Description		Control Valve Seal Kit	Power Cylinder Seal Kit	Piston Rod End Mounting Kit
Chevrolet	Belair, Biscayne, Brookwood, Caprice, Impala, Kingwood, Townsman	1960-1964	All	8010	8000	N/A
		1958-1959	All	N/A	8000	N/A
	Chevy II, Nova	1962-1967	All	8010	8000	N/A
	Corvette, Stingray	1963-1983	All	8010	8000	N/A
Ford	Cobra, Elite, Fairlane, LTD II, Gran Torino, Ranch Wagon, Ranchero (1967-79), Torino	1966-1971	With Dust Cover & Clamp	8421	8028	8032
		1966-1971	Without Dust Cover & Clamp	8029	8028	8032
		1962-1965	With Dust Cover & Clamp	8421	8028	N/A
		1962-1965	Without Dust Cover & Clamp	8029	8028	N/A
	Country Sedan, Country Squire, Crown Victoria, Galaxie, LTD, LTD Wagon, Custom	1961-1964	All	N/A	8028	N/A
	Falcon, Ranchero	1963-1966	With Dust Cover & Clamp	8421	8028	N/A
		1963-1966	Without Dust Cover & Clamp	8029	8028	N/A
	Granada	1975-1980	With Dust Cover & Clamp	8421	8028	N/A
		1975-1980	Without Dust Cover & Clamp	8029	8028	N/A
	Maverick	1970-1977	With Dust Cover & Clamp	8421	8028	N/A
		1970-1977	Without Dust Cover & Clamp	8029	8028	N/A
	Mustang, Grande, Mach I, SV0	1964-1970	With Dust Cover & Clamp	8421	8028	N/A
		1964-1970	Without Dust Cover & Clamp	8029	8028	N/A
	Thunderbird	1958-1960	With Dust Cover & Clamp	8421	8028	N/A
1958-1960		Without Dust Cover & Clamp	8029	8028	8032	
Ford Truck (Light Duty)	E-Models (1/2 Through 1 Ton)	1971-1974	With Dust Cover & Clamp	8421	8028	N/A
		1971-1974	Without Dust Cover & Clamp	8029	8028	N/A
Lincoln	Versailles	1977-1980	With Dust Cover & Clamp	8421	8028	N/A
		1977-1980	Without Dust Cover & Clamp	8029	8028	N/A
Mercury	Caliente, Capri (1967), Comet, Cyclone (1967), Villager, Voyager	1966-1977	With Dust Cover & Clamp	8421	8028	8032
		1966-1977	Without Dust Cover & Clamp	8029	8028	8032
		1963-1965	With Dust Cover & Clamp	8421	8028	N/A
		1963-1965	Without Dust Cover & Clamp	8029	8028	N/A
	Cougar, Eliminator, XR-7	1967-1970	With Dust Cover & Clamp	8421	8028	8032
		1967-1970	Without Dust Cover & Clamp	8029	8028	8032
	Cyclone, Montego, MX, Spoiler	1970-1971	With Dust Cover & Clamp	8421	8028	8032
		1970-1971	Without Dust Cover & Clamp	8029	8028	8032
	Meteor	1963	With Dust Cover & Clamp	8421	8028	N/A
		1963	Without Dust Cover & Clamp	8029	8028	N/A
Monarch	1975-1980	With Dust Cover & Clamp	8421	8028	N/A	
	1975-1980	Without Dust Cover & Clamp	8029	8028	N/A	
Pontiac	GTO, Tempest, Grand Am, Lemans	1961-1963	Grand Am, Tempest, Lemans, GTO	8010	8028	N/A

Heavy Duty Kits

Heavy-Duty Steering Kits



Heavy-Duty Steering Kits



- 1 Adjuster Jam Nut / Contratuerca del Ajustador
- 2 Vent Plug / Tapón de Respiración
- 3 Side Cover Gasket / Empaque de la Cubierta Lateral
- 4 Sector Shaft Seal / Retén del Eje de Sector
- 5 Retainer / Retenedor
- 6 Spiro Retainer / Retenedor Espiral
- 7 Piston Teflon / Teflón del Pistón
- 8 Piston O-Ring / Liga del Pistón
- 9 Ball Guide Return Gasket / Empaque de Retorno de Guía de Bolas
- 10 Ball Guide Retainer / Abrazadera de la Guía de Bolas
- 11 Control Valve Teflon / Teflón de la Válvula de Control
- 12 Control Valve Housing O-Ring / Liga de la Caja de Válvula de Control
- 13 Tetra Seal / Retén Lubricador
- 14 Port Plugs (Storage/Shipping) / Tapones (Almacenamiento/Embarque)
- 15 Dust Cap / Tapa Guardapolvo
- 16 Dust Seal / Guardapolvo
- 17 Input Shaft Retainer / Abrazadera del Eje Impulsor
- 18 Input Shaft Seal / Retén del Eje Impulsor

Make	Model	Year	Description	TransTec® No.
Heavy Duty Gear Kits				
SAGINAW	Dual Piston, Model 710, Complete Gear Seal Kit			8092
	Dual Piston, Model 710 Metric, Complete Gear Seal Kit			8295
	Rotary Valve, Astro Models (Replaces # 7842832) Complete Gear Seal Kit			8300
	Rotary Valve, Ford Brigadier & General Models, Complete Gear Seal Kit			8301
SHEPPARD	292 Series 6, Complete Gear Seal Kit			8818
	392 Series 6, Complete Gear Seal Kit, High Pressure			8822
	Actuating Shaft Reseal Kit			8821
	M100, Complete Gear Seal Kit			8823
	M100, Input Shaft Control Valve Reseal Kit			8834
	M100, Sector Shaft Reseal Kit			8867
	M100 With bolt on sector shaft cover only			8899
	M100 Auto (Reference 5545531)			8898
	M80, Complete Slave Gear Seal Kit			8884
	M80, Complete Gear Seal Kit			8825
	M80, Input Shaft Seal Kit			8834
	M90, Complete Gear Seal Kit			8824
	M90, Input Shaft Seal Kit			8834
	M90, Complete Slave Gear Seal Kit			8885
	M90, Sector Shaft Seal Kit			8867
292 (SERIES 3, 4, AND 5) Complete Gear Seal Kit			8302	
392 (EARLY) (SERIES 3, 4, AND 5) Complete Gear Seal Kit			8303	
392 (SERIES 6) Complete Gear Seal Kit			8822	
492 (SERIES 3, 4, AND 5) Complete Gear Seal Kit			8304	
592 (SERIES 3, 4, AND 5) Complete Gear Seal Kit			8305	
THP 60	THP 600001, Complete Gear Seal Kit			8869
THP 45	THP 450001, Complete Gear Seal Kit			8881
TRW	TAS 37, Complete Gear Seal Kit			8890
	TAS 40, Complete Gear Seal Kit			8102
	TAS 40, Input Shaft Reseal Kit			8800
	TAS 40, Sector Shaft Seal Kit			8888
	TAS 55, Input Shaft Reseal Kit			8800
	TAS 55, Complete Gear Seal Kit			8094
	TAS 65, Complete Gear Seal Kit			8101
	TAS 65, Input Shaft Reseal Kit			8800
	TAS 65, Sector Shaft			8868
	TAS 66, Complete Gear Seal Kit			8101
TAS 85, Complete Gear Seal Kit			8103	
TAS 85, Input Shaft Reseal Kit			8800	
TAS 85, Sector Shaft Seal Kit			8703	
TRW/ROSS	HF52, Input Shaft Seal Kit			8894
	HFB52, Complete Gear Seal Kit			8309
	HF54, Complete Gear Seal Kit			8307
	HF54, Input Shaft Seal Kit			8892
	HF64, Complete Gear Seal Kit			8308
	HFB64, Complete Gear Seal Kit			8310
	HFB64, Trunion Seal Kit			8897
HFB70, Complete Gear Seal Kit			8311	
Z.F.	Model 8014, Complete Gear Seal Kit			8882
	Model 8090, Complete Gear Seal Kit			8831
	Model 8095, Complete Gear Seal Kit			8833
	Model 8097, Complete Gear Seal Kit			8830

Make	Model	Year	Description	TransTec® No.
Heavy Duty Power Cylinder Kits				
GM	GM, Heavy Truck (OEM #5688233)			8286

Heavy Duty Pump Kits				
EATON	Model Series B			8312
	Model Series BBCCM			8329
	Model Series U			8313
Ford Truck/Van	Truck (Medium Duty)			8832
	F-53/F-59 Stripped Chassis (Light Duty)			8814
LUK	MODEL LF93			8819
SAGINAW	SAGINAW *NOTE: Shaft Seals Are Not Included In Pump Kit 8316. Order Seals Separately - New Design # 29271, Old Design # 29099.			8316
	With New Design Shaft Seal			8317
	With Standard Shaft Seal			8318
TRW	PS Series - Ref. # 2501044C91			8828
VICKERS	Model Series 10			8314
	Model Series V20			8315
Z.F.	Z.F. (Replacement for Pump #7673900114 & #7674900112)			8814
	Z.F. (Replacement for Pump #7673955271)			8820
	Z.F. (Replacement for Pump #7674955164)			8815
	Z.F. (Replacement for Pump #7674974909)			8812
	Z.F. (Replacement for Pump #7677955180)			8813

Miscellaneous Heavy Duty Bulk Components				
TAS	TAS 65 Side Cover Bushing			B60378
	TAS 65 Sector Shaft Spacer			B60391
	TAS 40 Side Cover Bushing			B60384
	TAS Series Input Shaft Thrust Bearing			B60075
Sheppard	M110 Sector Cover Retaining Tab Kit			8891

Part No.	Description
Bearings	
B60277	Chrysler, Gearbox, Input Bearing
B60278	Chrysler, Gearbox, Pitman Shaft Bearing
B81622	Ford, Corporate Gear, Pitman Shaft
B81414	Ford, Corporate Gear 1978-up, Upper Pinion
B60294	Honda, Lower Pinion Bearing
B60326	Honda Pump Bearing
B81419	Saginaw, 605 Pitman Shaft
B81592	Saginaw, 800 Gear, Lower Pitman Shaft
B81593	Saginaw, 800 Gear for .786" Input Shaft
B81420	Saginaw, 800 Gear for .875" Input Shaft
B60383	Saginaw, Lower Pinion Bearing
B60293	Toyota, Lower Pinion Bearing



Part No.	Description
Nissan Breather Tube	
B60273	Universal (Approximately 25" Long)



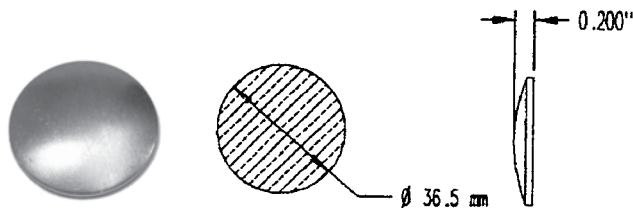
Part No.	Description
Cover Gasket	
B60053	Cadillac Seville
B60045	Chrysler
B60049	Dodge Ram
B60374	Isuzu
B60048	Nissan 240 SX
B60044	Nissan 300ZX
B60046	Nissan Maxima
B60047	Nissan
B60054	Oldsmobile Intrigue
B60043	Saginaw 800
B60019	Subaru Legacy
B60374	Subaru
B60312	Toyota Camry
B60050	Ford Tempo



Part No.	Description
Dust Caps	
B32370	ID 0.590 x OD 0.829 x THK 0.789
B32439	ID 0.610 x OD 0.200 x THK 0.450
B32648	ID 0.610 x OD 1.811 x THK 0.165
B32787	ID 0.610 x OD 1.783 x THK 0.590
B32796	ID 0.630 x OD 2.028 x THK 0.807
B33044	ID 0.618 x OD 1.909 x THK 0.827
B33322	ID 0.671 x OD 2.343 x THK 0.748



Part No.	Description
Housing Plug	
B60250	Ford Corporate Gear, 1988-On



Part No.	Description
Metal Washers	
B31418	ID 0.315 x OD 0.514 THK 0.062
B31517	ID 0.397 x OD 0.787 x THK 0.055
B31481	ID 0.400 x OD 0.540 x THK 0.030
B31048	ID 0.405 x OD 0.586 x THK 0.040
B31488	ID 0.480 x OD 0.630 x THK 0.060
B31417	ID 0.529 x OD 0.686 x THK 0.032
B31514	ID 0.556 x OD 0.909 x THK 0.087
B31521	ID 0.556 x OD 0.788 x THK 0.060
B31540	ID 0.563 x OD 0.704 x THK 0.059
B31491	ID 0.610 x OD 0.860 x THK 0.075
B31483	ID 0.635 x OD 0.875 x THK 0.055
B31411	ID 0.687 x OD 1.062 x THK 0.090
B31484	ID 0.715 x OD 0.965 x THK 0.054
B31043	ID 0.724 x OD 0.858 x THK 0.053
B31493	ID 0.800 x OD 1.030 x THK 0.075
B31410	ID 0.882 x OD 1.417 x THK 0.031
B31527	ID 1.055 x OD 1.366 x THK 0.039
B31439	ID 1.125 x OD 1.532 x THK 0.105
B31414	ID 1.140 x OD 1.618 x THK 0.090
B31526	ID 1.157 x OD 1.568 x THK 0.078
B31041	ID 1.190 x OD 1.643 x THK 0.038
B31504	ID 1.194 x OD 1.498 x THK 0.115
B31419	ID 1.259 x OD 1.675 x THK 0.086
B31415	ID 1.266 x OD 1.739 x THK 0.090
B31513	ID 1.268 x OD 1.571 x THK 0.114
B31505	ID 1.270 x OD 1.650 x THK 0.113
B31416	ID 1.360 x OD 1.795 x THK 0.090
B31501	ID 1.425 x OD 1.719 x THK 0.116
B31425	ID 1.645 x OD 2.119 x THK 0.125

Part No.	Description	
Pump Bushings		
B60291	Ford C-11 1978-84	Finished
B60300	Saginaw Vane Type 1960-On (Except GM Small Shaft 1960-66)	Finished
B60276	Audi 5000 1984-On, Radial Pump	Front

Part No.	Description
Pump Shaft Retainers	
B22039	Chrysler, Dodge, Toyota, Mitsubishi
B22025	Ford
B22120	Mazda
B22036	Mazda
B22057	Mitsubishi
B22058	Mitsubishi
B22036	Nissan
B22036	Saginaw
B60266	Saginaw 1960-on (square cut)
B60267	Saginaw metric, wire type
B22193	Subaru
B22120	Suzuki



Part No.	Description
Rack Shaft Bushings	
B32303	Lexus LX470 / Toyota Tacoma 4WD, Landcruiser
B32314	Lexus GS300 / Toyota Tacoma 2WD
B32326	Mazda MPV
B32338	Subaru Forester
B32339	SAAB 9-5
B32339	VW Beetle, Golf, Jetta
B32345	Mercedes Benz Sprinter
B32347	Audi A4
B32349	Nissan Altima
B86352	Mercury Scorpio with Z.F. rack
B86353	Porsche 911 Turbo
B86355	Lexus GX470 / Toyota 4Runner
B86356	Ford Taurus SHO
B86357	Ford Taurus SHO



Slipper Part No.	Spring Part No.	Description
Slippers/Springs		
B60260	60263	Ford Thompson 1965-67
B60261	60264	Ford C-11 1978-84
B60262	60265	Ford C-11 1985-On

Part No.	I.D. Dimension	O.D. Dimension
Tie Rod Lock Plates		
B31436	0.645"	1.420"
B31437	0.565"	1.415"
B31445	0.730"	1.565"
B31476	.0.650"	1.490"
B31477	0.500"	3.000"
B31479	0.490"	1.335"
B31480	0.560"	1.610"
B31482	0.560"	1.485"
B31495	0.680"	1.415"
B31515	0.582"	0.903"
B31519	0.710"	1.850"
B31533	0.715"	1.450"
B31548	0.650"	1.757"
B31559	1.062"	1.842"



*B31477 Saginaw With Center Take Off



Part No.	Description
Nissan Upper Pinion Caps	
B60272	Early, Large
B60283	Late, Small



Part No.	Description
Pressure Return Line Seal	
B60058	Trailblazer, Envoy 2002-2006



Make	Model	Year	Description	TransTec® No.
Gear Kits				
CITROEN / PEUGEOT / RENAULT	SKARA, BERLIGO, ZX, PICASSO, 406, PARTNER, CLIO II, MEGANE, SCENIC, 106, SAXO	1995	VALVE CARTRIDGE KIT ONLY	C9007
LANDROVER	RANGE ROVER II	1994-2002	ONLY ZF 3.9L, 4.0L, 4.6L	15499992

Rack & Pinion Kits				
AUDI	A2	2000-Up	With & Without Ephs Sensor - Valve Kit Only	15599951
	A3	1996-2005	ZF With Clip On Pipes - Valve Kit Only	15599950
	TT	1998-Up	ZF With Clip On Pipes - Valve Kit Only	15599950
BMW	X5	2000-Up	Valve Kit Only	15599939
CITROEN	BX	1983-Up	ZF Cast Iron Valve Cartridge - Valve Cartridge Kit Only	15599937
	BX, C15, Xsara, Berlingo, ZX, Picasso		ZF / Bendix - Valve Kit Only	15599938
	C5	2001-Up	Valve Kit Only	15599853
	Evasion, Jumpy, Synergy	1994-2002	28mm Rack, 48mm Tube, Steel Lockstop	15599934
	Saxo	1996-Up	TRW Valve Cartridge End Take Off - Valve Kit Only	15599933
	Xantia	1993-Up	ZF/Bendix Sfd Cast Iron Valve Cartridge - Valve Cartridge Kit Only	15599937
	XM	1989-Up	ZF/Bendix Sfd Cast Iron Valve Cartridge - Valve Cartridge Kit Only	15599937
CITROEN / PEUGEOT / RENAULT	Sxara, Berlingo, Zx, Picasso, 406, Partner, Clio II, Megane, Scenic, 106, Saxo	1995	Valve Cartridge Kit Only	C9007
FIAT	Ulysse, Scudo	1994-2002	28mm Rack, 48mm Tube, Steel Lockstop	15599934
FORD	Fiesta, Fusion	2001-Up	Valve Kit Only	15599926
	Galaxy	1995-Up	All TRW	15599924

Make	Model	Year	Description	TransTec® No.
HOLDEN	Comodore/Statesman	1997-1999		9964
IVECO	Daily	1978-1999	Daily With Plastic Lockstop	15599935
		1978-1999	With Steel Lockstop	15599936
LAND ROVER	Freelander	1997-Up	TRW CTO (40mm Main Seal) - Valve Kit Only	15599911
MAZDA	2	2003-Up	Valve Kit Only	15599926
MERCEDES BENZ	M Class	1998-Up	(ZF Without Servotronic) - Valve Kit Only	15599905
NISSAN	Almera	1995-Up	TRW	15599899
	Urvan	1999-6/30/2001		9954
		7/1/2001-Up		9955
OPEL	Arena	1981-2001	NSK - Valve Cartridge Kit Only	15599882
		1981-2001	SMI / Koyo Rack Kit (With Paulstra Seals) - Rack Kit Only	15599875
		1981-2001	SMI / Koyo Rack (With Nok Seals) - Rack Kit Only	15599877
		1981-2001	Valve Kit Only	15599938
	Zafira	1998-Up	TRW Gen I Astra G (Electric Pump)	15599861
OPEL / VAUXHALL / RENAULT	Arena, R11, R19, R21, R25, Clio I, Clio II, Escape, Express, Kangoo, Laguna, Megane, Scenic, Safrane, Traffic		Valve Cartridge Kit Only	C9006
PEUGEOT	106	1996-Up	TRW, End Take Off - Valve Cartridge Kit Only	15599937
	206	1998-Up	TRW With Latest Level Steel Flange Inner Rack Seal - Valve Cartridge Kit Only	15599896
	406	1995-Up	ZF With Servotronic	15599893
	205, 306, 405, 406, 605		ZF / Bendix Sfd Valve Cartridge - Valve Kit Only	15599938
	Expert, 806	1994-2002	28mm Rack, 48mm Tube, Steel Lockstop	15599934
	J5	1986-1994	TRW Italia Commercial With Plastic Lockstop	15599935
PONTIAC	Trans Sport	1999-2000		8412

Make	Model	Year	Description	TransTec® No.
RENAULT	Clio I	1990-1998	NSK - Valve Cartridge Kit Only	15599882
		1990-1998	All SMI Type 1 With Swaged Or Crimped Tube - Rack Kit Only	15599884
		1990-1998	SMI Type 1 With Non-Swaged - Rack Kit Only	15599883
	Clio II	1998-2005		9980
		1998-2005	SMI / Koyo - Rack Kit Only	15599879
		1998-2005	Rack Kit Only	15599845
		1999-Up	1.0l & 1.6l - Value Kit Only	57048K
	Espace	1991-1997	NSK - Valve Cartridge Kit Only	15599882
		1991-1997	SMI Type 1 With Non-Swaged - Rack Kit Only	15599883
		1991-1997	All SMI Type 1 With Swaged Or Crimped Tube - Rack Kit Only	15599884
	Express	1984-1996	SMI Type 1 With Non-Swaged - Rack Kit Only	15599883
		1984-1996	All SMI Type 1 With Swaged Or Crimped Tube - Rack Kit Only	15599884
	Kangoo	1998-Up	SMI / Koyo - Rack Kit Only	15599879
	Laguna	2001-Up	SMI / Koyo - Rack Kit Only	15599879
	Megane & Scenic	1996-2002	TRW Rack Kit Only	15599845
	Megane, Scenic	1996-2002	SMI / Koyo Rack (Non Tapered Tube) - Rack Kit Only	15599879
	Platina	2001-2005		9980
	R11	1983-1989	NSK - Valve Cartridge Kit Only	15599882
		1983-1989	SMI Type 1 With Non-Swaged - Rack Kit Only	15599883
		1983-1989	Rack Kit Only	15599884
	R11, R18, Fuego, R21, R25, Clio I, Espace, Express, Super 5, Trafic		Valve Kit Only	15599938
	R19	1988-1996	NSK - Valve Cartridge Kit Only	15599882
		1988-1996	All SMI Type 1 With Swaged Or Crimped Tube - Rack Kit Only	15599884
	R21	1986-1994	NSK - Valve Cartridge Kit Only	15599882
		1986-1994	SMI Type 1 With Non-Swaged - Rack Kit Only	15599883
		1986-1994	All SMI Type 1 With Swaged Or Crimped Tube - Rack Kit Only	15599884
	R25	1988-1993	NSK - Valve Cartridge Kit Only	15599882
1988-1993		SMI Type 1 With Non-Swaged - Rack Kit Only	15599883	
1988-1993		All SMI Type 1 With Swaged Or Crimped Tube - Rack Kit Only	15599884	
Safrane	1992-2000	NSK - Valve Cartridge Kit Only	15599882	
	1981-2001	SMI / Koyo Rack Kit (With Paulstra Seals) - Rack Kit Only	15599875	
	1992-2000	SMI / Koyo Rack (With Nok Seals) - Rack Kit Only	15599877	
Super 5	1984-1993	NSK - Valve Cartridge Kit Only	15599882	
	1984-1993	SMI Type 1 With Non-Swaged - Rack Kit Only	15599883	
	1984-1993	All SMI Type 1 With Swaged Or Crimped Tube - Rack Kit Only	15599884	
Trafic	1981-2001	NSK - Valve Cartridge Kit Only	15599882	
	1981-2001	SMI / Koyo Rack Kit (With Paulstra Seals) - Rack Kit Only	15599875	
	1981-2001	SMI / Koyo Rack (With Nok Seals) - Rack Kit Only	15599877	
SEAT	Alhambra	1995-Up	All TRW	15599924
	Arosa	1997-2000	TRW	15599866
	Arosa	2000-Up	With & Without Epha Sensor - Valve Kit Only	15599951
	Toledo, Leon	1999-2005	Valve Kit Only	15599950
SKODA	Fabia	2000-Up	With & Without Epha Sensor - Valve Kit Only	15599951
	Octavia	1996-Up	ZF With Clip On Pipes - Valve Kit Only	15599950

Make	Model	Year	Description	TransTec® No.
VAUXHALL	Arena	1981-2001	NSK - Valve Cartridge Kit Only	15599882
		1981-2001	SMI / Koyo Rack (With Paulstra Seals) - Rack Kit Only	15599875
		1981-2001	SMI / Koyo Rack (With Nok Seals) - Rack Kit Only	15599877
		1981-2001	ZF Cast Iron Valve Cartridge - Valve Kit Only	15599938
	Zafira	1998-Up	TRW Gen I Astra G (Electric Pump)	15599861
		2002-Up	TRW Gen II Astra G (Electric Pump)	15599861
VOLKSWAGEN	Beetle	1998-2002	ZF With Clips On Pipe - Valve Kit Only	15599950
	Bora	1999-Up	ZF With Clip On Pipes - Valve Kit Only	15599950
	Caddy	1995-2004	TRW	15599866
	Eurovan	2000-2005		15599856
	Gol	1994-99	Generation II	57012K
		1999-On	Generation III	57012K
	Golf	1997-Up	ZF With Clip On Pipes - Valve Kit Only	15599950
	Lupo	1998-2000	TRW	15599866
		2000-Up	With & Without Ephs Sensor - Valve Kit Only	15599951
	Pointer	1998	Pointer	57026K
	Pointer			57012K
	Polo	1994-2000	TRW	15599866
		2003-Up	With & Without Ephs Sensor - Valve Kit Only	15599951
Sharon	1995-Up	All TRW	15599924	
Transporter	1992-1998		15599856	

TransTec® No.	Application	Make
8000	POWER CYLINDER SEAL KIT	CHEVROLET, PONTIAC
8001	GEAR SEAL KIT	AMERICAN MOTORS, BUICK, CADILLAC, CHEVROLET, FORD, FORD TRUCK - LIGHT DUTY, GMC TRUCK, JEEP AMC TRUCK, MERCURY, OLDSMOBILE, PONTIAC
8002	PUMP KIT	BUICK, CADILLAC, CHEVROLET, CHEVROLET TRUCKS - LIGHT DUTY, GMC TRUCK, OLDSMOBILE, PLYMOUTH, PONTIAC
8003	PUMP KIT	BUICK, CADILLAC, OLDSMOBILE, PONTIAC,
8004	COMPLETE PITMAN KIT	AMERICAN MOTORS, BUICK, CADILLAC, CHEVROLET, CHEVROLET TRUCKS - LIGHT DUTY, DODGE TRUCK, FORD, FORD TRUCKS - LIGHT DUTY, GMC TRUCK, JEEP (AMC TRUCK), MERCURY, OLDSMOBILE, PLYMOUTH TRUCK, PONTIAC
8005	GEAR SEAL KIT	BUICK, CADILLAC, CHEVROLET, CHEVROLET TRUCKS - LIGHT DUTY, GMC TRUCK, JEEP (AMC TRUCK), OLDSMOBILE, PONTIAC
8006	RACK & PINION KIT	HYUNDAI
8007	PUMP KIT	AMERICAN MOTORS, FORD, FORD TRUCK/VAN (LIGHT DUTY), MERCURY
8008	GEAR SEAL KIT	DODGE, PLYMOUTH
8009	PUMP KIT	AMERICAN MOTORS, CHRYSLER, DODGE, PLYMOUTH
8010	CONTROL VALVE SEAL KIT	CHEVROLET, PONTIAC
8011	PUMP KIT	HYUNDAI, MITSUBISHI, KIA
8012	PUMP KIT	CHRYSLER, DODGE, DODGE TRUCK/VAN, PLYMOUTH
8014	GEAR SEAL KIT	FORD, FORD TRUCKS - LIGHT DUTY, LINCOLN, MERCURY
8015	GEAR SEAL KIT	CHRYSLER, DODGE, DODGE TRUCK, PLYMOUTH, PLYMOUTH TRUCK
8016	GEAR SEAL KIT	FORD, FORD TRUCKS - LIGHT DUTY, LINCOLN, MERCURY
8017	ADJ. PLUG SEAL KIT	AMERICAN MOTORS, BUICK, CADILLAC, CHEVROLET, CHEVROLET TRUCKS - LIGHT DUTY, FORD, FORD TRUCKS - LIGHT DUTY, GMC TRUCK, JEEP (AMC TRUCK), MERCURY, OLDSMOBILE, PONTIAC
8018	COMPLETE PITMAN KIT	BUICK, CHEVROLET, GMC TRUCK, OLDSMOBILE, PONTIAC
8019	LOWER PITMAN KIT	BUICK, CHEVROLET, GMC TRUCK, OLDSMOBILE, PONTIAC
8020	GEAR SEAL KIT	BUICK, CHEVROLET, GMC TRUCK, OLDSMOBILE, PONTIAC
8021	COMPLETE PITMAN KIT	FORD, FORD TRUCKS - LIGHT DUTY, LINCOLN, MERCURY
8022	GEAR SEAL KIT	FORD, FORD TRUCKS - LIGHT DUTY, LINCOLN, MERCURY
8023	LOWER PITMAN KIT	FORD, FORD TRUCKS - LIGHT DUTY, LINCOLN, MERCURY
8024	PUMP KIT	FORD, FORD TRUCK/VAN (LIGHT DUTY), LINCOLN, MAZDA, MERCURY
8025	RACK & PINION KIT	LEXUS
8026	RACK & PINION KIT	TOYOTA TRUCK/VAN
8027	RACK & PINION KIT	NISSAN
8028	POWER CYLINDER SEAL KIT	FORD, FORD TRUCKS - LIGHT DUTY, LINCOLN, MERCURY
8029	CONTROL VALVE SEAL KIT	FORD, FORD TRUCKS - LIGHT DUTY, LINCOLN, MERCURY
8030	COMPLETE PITMAN KIT	FORD, FORD TRUCKS - LIGHT DUTY, LINCOLN, MERCURY
8031	LOWER PITMAN KIT	FORD, FORD TRUCKS - LIGHT DUTY, LINCOLN, MERCURY
8032	PISTON ROD END MOUNTING KIT	COBRA, ELITE, FAIRLANE, LTD II, GRAN TORINO, RANCH WAGON, RANCHERO (1967-79), TORINO, FORD, MERCURY
8033	PUMP KIT	AMERICAN MOTORS, BUICK, CADILLAC, CHEVROLET, CHEVROLET TRUCKS - LIGHT DUTY, DODGE, FORD, FORD TRUCKS - LIGHT DUTY, GMC TRUCK, JEEP/AMC TRUCK, MERCURY, OLDSMOBILE, PLYMOUTH TRUCK, PONTIAC
8034	PUMP KIT	CHRYSLER, DODGE, DODGE TRUCK/VAN, PLYMOUTH
8035	LOWER PITMAN KIT	CHRYSLER, DODGE, DODGE TRUCK, PLYMOUTH, PLYMOUTH TRUCK
8036	LOWER PITMAN KIT	DODGE, PLYMOUTH
8037	LOWER PITMAN KIT	AMERICAN MOTORS, BUICK, CADILLAC, CHEVROLET, CHEVROLET TRUCKS - LIGHT DUTY, DODGE TRUCK, FORD, FORD TRUCKS - LIGHT DUTY, GMC TRUCK, JEEP (AMC TRUCK), MERCURY, OLDSMOBILE, PLYMOUTH TRUCK, PONTIAC
8038	PUMP KIT	CHRYSLER, DODGE, DODGE TRUCK/VAN, PLYMOUTH
8039	RACK & PINION KIT	FORD
8040	COMPLETE PITMAN KIT	CHRYSLER, DODGE, DODGE TRUCK, PLYMOUTH, PLYMOUTH TRUCK
8041	COMPLETE PITMAN KIT	DODGE, PLYMOUTH
8042	RACK & PINION KIT	BUICK, CHEVROLET, DODGE, OLDSMOBILE, PLYMOUTH, PONTIAC
8043	ADJ. PLUG SEAL KIT	AMERICAN MOTORS, BUICK, CADILLAC, CHEVROLET, CHEVROLET TRUCKS - LIGHT DUTY, DODGE TRUCK, FORD, FORD TRUCKS - LIGHT DUTY, GMC TRUCK, JEEP (AMC TRUCK), OLDSMOBILE, PLYMOUTH TRUCK, PONTIAC

TransTec® No.	Application	Make
8044	GEAR SEAL KIT	AMERICAN MOTORS AMERICAN, BUICK, CADILLAC, CHEVROLET, CHEVROLET TRUCKS - LIGHT DUTY, FORD, GMC TRUCK, JEEP, JEEP (AMC TRUCK), OLDSMOBILE, PONTIAC, CADILLAC, CHEVROLET TRUCKS - LIGHT DUTY, DODGE TRUCK, FORD TRUCKS - LIGHT DUTY, GMC TRUCK, PLYMOUTH TRUCK
8045	GEAR SEAL KIT	CADILLAC, CHEVROLET TRUCKS - LIGHT DUTY, DODGE TRUCK, FORD TRUCKS - LIGHT DUTY, GMC TRUCK, PLYMOUTH TRUCK,
8046	RACK & PINION KIT	CHEVROLET, PONTIAC'
8047	RACK & PINION KIT	BUICK, CADILLAC, CHEVROLET, OLDSMOBILE, PONTIAC
8048	RACK & PINION KIT	HONDA
8049	RACK & PINION KIT	FORD, MERCURY
8050	RACK & PINION KIT	FORD, MERCURY
8051	RACK & PINION KIT	CHRYSLER, DODGE, DODGE TRUCK/VAN, PLYMOUTH, PLYMOUTH TRUCK
8052	GEAR SEAL KIT	CADILLAC, CHEVROLET, CHEVROLET TRUCKS - LIGHT DUTY, GMC TRUCK, JEEP, OLDSMOBILE
8053	ADJ. PLUG SEAL KIT	CHRYSLER, DODGE, DODGE TRUCK, PLYMOUTH, PLYMOUTH TRUCK,
8054	GEAR SEAL KIT	CHEVROLET TRUCKS - LIGHT DUTY, DODGE, DODGE TRUCK, GMC TRUCK
8055	PUMP KIT	SUBARU
8056	RACK & PINION KIT	MAZDA
8057	RACK & PINION KIT	ACURA, HONDA
8058	RACK & PINION KIT	BUICK, CADILLAC, CHEVROLET, OLDSMOBILE, PONTIAC
8059	RACK & PINION KIT	FORD, MERCURY
8060	RACK & PINION KIT	NISSAN
8062	RACK & PINION KIT	BUICK, CADILLAC, CHEVROLET, OLDSMOBILE, PONTIAC
8063	RACK & PINION KIT	BUICK, CADILLAC, CHEVROLET, OLDSMOBILE, PONTIAC
8065	PUMP KIT	ACURA
8066	PUMP KIT	ACURA, HONDA, ISUZU
8067	RACK & PINION KIT	CHRYSLER, DODGE, PLYMOUTH
8069	RACK & PINION KIT	CHEVROLET
8070	RACK & PINION KIT	AMERICAN MOTORS, RENAULT
8071	RACK & PINION KIT	ACURA
8073	RACK & PINION KIT	HYUNDAI
8075	RACK & PINION KIT	HYUNDAI
8077	PUMP KIT	MAZDA
8078	GEAR SEAL KIT	MAZDA
8079	RACK & PINION KIT	FORD
8080	RACK & PINION KIT	SUBARU
8081	GEAR SEAL KIT	CHEVROLET, GMC, JEEP, NISSAN
8082	RACK & PINION KIT	LEXUS
8083	RACK & PINION KIT	MITSUBISHI
8084	GEAR SEAL KIT	NISSAN
8085	RACK & PINION KIT	MAZDA, MERCURY
8086	RACK & PINION KIT	CADILLAC
8087	RACK & PINION KIT	GEO, SUZUKI
8088	GEAR SEAL KIT	NISSAN
8089	RACK & PINION KIT	NISSAN
8090	RACK & PINION KIT	INFINITI
8092	GEAR SEAL KIT	CHEVROLET TRUCKS - MEDIUM DUTY
8092	HEAVY DUTY GEAR KIT	SAGINAW
8093	PUMP KIT	GEO, ISUZU, SUZUKI
8095	RACK & PINION KIT	FORD, FORD TRUCK/VAN (LIGHT DUTY), LINCOLN, MERCURY

TransTec® No.	Application	Make
8096	PUMP KIT	AMERICAN MOTORS, BUICK, CADILLAC, CHEVROLET, CHEVROLET TRUCKS - LIGHT DUTY, EAGLE, FORD TRUCK/VAN (LIGHT DUTY), GMC TRUCK, OLDSMOBILE, PONTIAC
8097	PUMP KIT	CHEVROLET, ISUZU
8098	PUMP KIT	CHEVROLET, PONTIAC
8100	PUMP KIT	AMERICAN MOTORS, BUICK, CADILLAC, CHEVROLET, EAGLE, GMC TRUCK, JEEP/AMC TRUCK, MITSUBISHI TRUCK, OLDSMOBILE, PONTIAC
8101	HEAVY DUTY GEAR KIT	TAS 65, TAS 66
8102	HEAVY DUTY GEAR KIT	TAS 40
8104	RACK & PINION KIT	FORD
8105	RACK & PINION KIT	FORD, FORD TRUCK/VAN (LIGHT DUTY), MERCURY
8106	RACK & PINION KIT	CHRYSLER, DODGE
8107	PUMP KIT	DODGE, TOYOTA
8108	RACK & PINION KIT	FORD, MERCURY
8109	RACK & PINION KIT	NISSAN
8110	RACK & PINION KIT	NISSAN
8111	RACK & PINION KIT	NISSAN
8112	RACK & PINION KIT	NISSAN
8113	RACK & PINION KIT	NISSAN
8114	PUMP KIT	CHRYSLER, DODGE
8115	RACK & PINION KIT	NISSAN
8116	RACK & PINION KIT	NISSAN
8117	RACK & PINION KIT	NISSAN
8118	RACK & PINION KIT	SAAB
8119	RACK & PINION KIT	SAAB
8120	RACK & PINION KIT	ACURA, HONDA
8121	PUMP KIT	JAGUAR
8122	RACK & PINION KIT	VOLVO
8123	GEAR SEAL KIT	TOYOTA
8124	GEAR SEAL KIT	GEO, SUZUKI
8125	RACK & PINION KIT	KIA
8126	RACK & PINION KIT	MAZDA
8127	RACK & PINION KIT	TOYOTA
8128	RACK & PINION KIT	VOLVO
8129	RACK & PINION KIT	TOYOTA
8130	RACK & PINION KIT	TOYOTA
8131	RACK & PINION KIT	TOYOTA
8132	RACK & PINION KIT	TOYOTA
8133	RACK & PINION KIT	TOYOTA
8134	RACK & PINION KIT	TOYOTA
8135	RACK & PINION KIT	PONTIAC
8136	RACK & PINION KIT	TOYOTA TRUCK/VAN
8137	RACK & PINION KIT	MAZDA
8138	RACK & PINION KIT	VOLKSWAGEN
8139	RACK & PINION KIT	NISSAN
8140	RACK & PINION KIT	NISSAN
8141	RACK & PINION KIT	TOYOTA
8142	RACK & PINION KIT	CHEVROLET, GEO, TOYOTA
8143	RACK & PINION KIT	TOYOTA

TranTec® No.	Application	Make
8144	RACK & PINION KIT	HONDA
8145	RACK & PINION KIT	HONDA
8146	RACK & PINION KIT	HONDA
8147	RACK & PINION KIT	ACURA
8149	RACK & PINION KIT	SUZUKI
8150	RACK & PINION KIT	CHEVROLET, ISUZU
8151	LOWER PITMAN KIT	CHEVROLET TRUCKS - MEDIUM DUTY
8152	RACK & PINION KIT	DODGE, MITSUBISHI
8153	RACK & PINION KIT	DODGE, MITSUBISHI
8154	RACK & PINION KIT	CHEVROLET, GMC
8155	RACK & PINION KIT	SUBARU
8157	RACK & PINION KIT	SUBARU
8158	RACK & PINION KIT	SUBARU
8160	PUMP KIT	HONDA
8161	PUMP KIT	HONDA
8162	PUMP KIT	ACURA, HONDA
8163	PUMP KIT	ACURA, HONDA
8164	RACK & PINION KIT	TOYOTA
8165	PUMP KIT	HONDA
8166	PUMP KIT	ACURA, HONDA
8167	RACK & PINION KIT	AUDI
8168	RACK & PINION KIT	AUDI
8169	RACK & PINION KIT	AUDI
8171	RACK & PINION KIT	FORD, MERCURY
8172	PUMP KIT	HONDA, ISUZU, SUBARU
8173	RACK & PINION KIT	LINCOLN
8174	RACK & PINION KIT	CHRYSLER, DODGE, DODGE TRUCK/VAN, PLYMOUTH, PLYMOUTH TRUCK
8175	GEAR SEAL KIT	CHEVROLET TRUCKS - LIGHT DUTY, GMC TRUCK, HUMMER
8177	RACK & PINION KIT	ACURA, HONDA, ISUZU
8184	PUMP KIT	CHRYSLER, DODGE, DODGE TRUCK/VAN, PLYMOUTH, PLYMOUTH TRUCK
8185	RACK & PINION KIT	MITSUBISHI TRUCK
8186	RACK & PINION KIT	DODGE, EAGLE, HYUNDAI, MITSUBISHI
8187	RACK & PINION KIT	DODGE, MITSUBISHI
8188	RACK & PINION KIT	CHRYSLER, EAGLE, MITSUBISHI
8189	RACK & PINION KIT	MITSUBISHI
8190	RACK & PINION KIT	MITSUBISHI
8191	RACK & PINION KIT	MITSUBISHI
8192	RACK & PINION KIT	MITSUBISHI
8193	RACK & PINION KIT	MITSUBISHI
8194	RACK & PINION KIT	TOYOTA, TOYOTA TRUCK/VAN
8195	RACK & PINION KIT	BMW
8196	RACK & PINION KIT	SUBARU
8197	RACK & PINION KIT	FORD, MAZDA
8198	RACK & PINION KIT	BMW
8199	RACK & PINION KIT	BUICK, CADILLAC, CHEVROLET, OLDSMOBILE, PONTIAC
8201	RACK & PINION KIT	ACURA, HONDA
8202	RACK & PINION KIT	HONDA

TransTec® No.	Application	Make
8203	GEAR SEAL KIT	CHEVROLET, CHEVROLET TRUCKS - LIGHT DUTY, GMC TRUCK, ISUZU, OLDSMOBILE, PONTIAC
8204	RACK & PINION KIT	HONDA
8205	RACK & PINION KIT	TOYOTA
8206	RACK & PINION KIT	DODGE, EAGLE
8207	RACK & PINION KIT	HYUNDAI, MITSUBISHI
8208	RACK & PINION KIT	TOYOTA
8209	RACK & PINION KIT	TOYOTA
8210	RACK & PINION KIT	MAZDA
8211	RACK & PINION KIT	TOYOTA
8212	RACK & PINION KIT	BUICK, GEO, PONTIAC, TOYOTA
8213	RACK & PINION KIT	CHRYSLER, DODGE, MITSUBISHI
8214	RACK & PINION KIT	TOYOTA TRUCK/VAN
8215	RACK & PINION KIT	MAZDA
8216	RACK & PINION KIT	MAZDA
8217	RACK & PINION KIT	LEXUS, TOYOTA
8218	PUMP KIT	INFINITI
8220	RACK & PINION KIT	INFINITI, NISSAN
8221	RACK & PINION KIT	TOYOTA
8222	RACK & PINION KIT	NISSAN
8223	RACK & PINION KIT	NISSAN
8223	RACK & PINION KIT	NISSAN
8224	RACK & PINION KIT	NISSAN
8225	PUMP KIT	AMERICAN MOTORS, BUICK, CADILLAC, CHEVROLET, CHEVROLET TRUCKS - LIGHT DUTY, CHRYSLER, DODGE, DODGE TRUCK/VAN, FORD TRUCK/VAN (LIGHT DUTY), GMC TRUCK, JEEP, JEEP/AMC TRUCK, OLDSMOBILE, PLYMOUTH, PLYMOUTH TRUCK, PONTIAC
8226	PUMP KIT	AUDI
8227	COMPLETE PITMAN KIT	FORD, FORD TRUCKS - LIGHT DUTY, LINCOLN, MERCURY
8228	RACK & PINION KIT	FORD, MERCURY
8229	GEAR SEAL KIT	FORD, FORD TRUCKS - LIGHT DUTY, LINCOLN, MAZDA, MERCURY
8230	RACK & PINION KIT	CHEVROLET, PONTIAC
8232	PUMP KIT	NISSAN
8233	PUMP KIT	NISSAN
8234	PUMP KIT	NISSAN
8235	PUMP KIT	INFINITI, NISSAN, NISSAN TRUCKS
8236	PUMP KIT	NISSAN
8237	PUMP KIT	NISSAN, NISSAN TRUCKS
8238	PUMP KIT	FORD, MAZDA, NISSAN
8239	RACK & PINION KIT	PORSCHE
8240	RACK & PINION KIT	SUBARU
8241	PUMP KIT	BUICK, CADILLAC, CHEVROLET, CHEVROLET TRUCKS - LIGHT DUTY, ISUZU, OLDSMOBILE, PONTIAC, SATURN
8242	RACK & PINION KIT	HONDA
8243	PUMP KIT	TOYOTA
8244	PUMP KIT	LEXUS, TOYOTA, TOYOTA TRUCK
8245	PUMP KIT	TOYOTA, TOYOTA TRUCK
8246	RACK & PINION KIT	TOYOTA
8247	PUMP KIT	TOYOTA, TOYOTA TRUCK
8248	PUMP KIT	INFINITI, NISSAN
8249	PUMP KIT	INFINITI, NISSAN

TransTec® No.	Application	Make
8251	PUMP KIT	FORD, MERCURY
8252	RACK & PINION KIT	ACURA
8253	PUMP KIT	ACURA, HONDA, ISUZU
8254	PUMP KIT	BUICK, CADILLAC
8255	PUMP KIT	BUICK, CHEVROLET
8256	PUMP KIT	BUICK
8257	PUMP KIT	BUICK, CADILLAC, CHEVROLET, CHEVROLET TRUCKS - LIGHT DUTY, OLDSMOBILE, PONTIAC
8258	PUMP KIT	CHEVROLET, CHRYSLER, DODGE, FORD TRUCK/VAN (LIGHT DUTY), ISUZU, PLYMOUTH, PONTIAC
8259	PUMP KIT	CHEVROLET, PONTIAC
8260	PUMP KIT	CHEVROLET
8261	PUMP KIT	BUICK, OLDSMOBILE, PONTIAC, SATURN
8262	LOWER PITMAN KIT	FORD, FORD TRUCKS - LIGHT DUTY, LINCOLN, MERCURY
8263	RACK & PINION KIT	FORD, MAZDA
8265	COMPLETE PITMAN KIT	CHEVROLET, CHEVROLET TRUCKS - LIGHT DUTY, GMC TRUCK, HUMMER, JEEP, PONTIAC
8266	LOWER PITMAN KIT	CHEVROLET, CHEVROLET TRUCKS - LIGHT DUTY, GMC TRUCK, HUMMER, JEEP, PONTIAC
8267	ADJ. PLUG SEAL KIT	CHEVROLET, CHEVROLET TRUCK - LIGHT DUTY, GMC TRUCK, HUMMER, PONTIAC
8268	COMPLETE PITMAN KIT	CHEVROLET TRUCKS - MEDIUM DUTY
8269	ADJ. PLUG SEAL KIT	CHEVROLET TRUCKS - MEDIUM DUTY
8274	RACK & PINION KIT	MAZDA
8275	RACK & PINION KIT	MERCURY TRUCK, NISSAN
8279	PUMP KIT	MAZDA
8280	PUMP KIT	MAZDA
8281	RACK & PINION KIT	MAZDA
8282	PUMP KIT	FORD, MITSUBISHI, MITSUBISHI TRUCK
8283	RACK & PINION KIT	MAZDA
8284	PUMP KIT	FORD, FORD TRUCK/VAN (LIGHT DUTY), LINCOLN, LINCOLN TRUCK/VAN (LIGHT DUTY), MAZDA, MERCURY, MERCURY TRUCK/VAN (LIGHT DUTY),
8285	RACK & PINION KIT	MAZDA, MERCURY
8286	HEAVY DUTY POWER CYLINDER KIT	GM
8287	RACK & PINION KIT	HONDA
8288	RACK & PINION KIT	GEO
8289	RACK & PINION KIT	GEO, ISUZU
8290	RACK & PINION KIT	MAZDA
8291	RACK & PINION KIT	CHRYSLER, DODGE, EAGLE
8292	RACK & PINION KIT	FORD, MAZDA
8293	RACK & PINION KIT	BMW
8294	RACK & PINION KIT	VOLKSWAGEN
8295	GEAR SEAL KIT	CHEVROLET TRUCKS - MEDIUM DUTY
8295	HEAVY DUTY GEAR KIT	SAGINAW
8296	PUMP KIT	ACURA, CHRYSLER, DODGE, EAGLE, MITSUBISHI
8297	PUMP KIT	DODGE, EAGLE, MITSUBISHI, MITSUBISHI TRUCK, PLYMOUTH
8298	PUMP KIT	DODGE, EAGLE, MITSUBISHI, MITSUBISHI TRUCK, PLYMOUTH
8299	PUMP KIT	CHRYSLER, DODGE, EAGLE, GEO, LEXUS, MITSUBISHI, TOYOTA, TOYOTA TRUCK, TOYOTA TRUCK/VAN
8300	HEAVY DUTY GEAR KIT	SAGINAW
8301	HEAVY DUTY GEAR KIT	SAGINAW
8302	HEAVY DUTY GEAR KIT	SHEPPARD
8303	HEAVY DUTY GEAR KIT	SHEPPARD

TransTec® No.	Application	Make
8304	HEAVY DUTY GEAR KIT	SHEPPARD
8305	HEAVY DUTY GEAR KIT	SHEPPARD
8306	RACK & PINION KIT	LEXUS, TOYOTA
8307	HEAVY DUTY GEAR KIT	TRW
8308	HEAVY DUTY GEAR KIT	TRW
8309	HEAVY DUTY GEAR KIT	TRW/ROSS
8312	HEAVY DUTY PUMP KIT	EATON
8313	HEAVY DUTY PUMP KIT	EATON
8314	HEAVY DUTY PUMP KIT	VICKERS
8315	HEAVY DUTY PUMP KIT	VICKERS
8316	HEAVY DUTY PUMP KIT	SAGINAW
8317	HEAVY DUTY PUMP KIT	SAGINAW
8318	HEAVY DUTY PUMP KIT	SAGINAW
8319	PUMP KIT	LEXUS
8319	RACK & PINION KIT	LEXUS
8320	RACK & PINION KIT	PORSCHE
8321	PUMP KIT	DODGE TRUCK/VAN, HYUNDAI, MITSUBISHI
8322	PUMP KIT	MAZDA
8323	PUMP KIT	DODGE, MITSUBISHI
8324	RACK & PINION KIT	NISSAN
8325	RACK & PINION KIT	VOLKSWAGEN
8326	PUMP KIT	BUICK, OLDSMOBILE, PONTIAC
8327	PUMP KIT	MAZDA
8328	RACK & PINION KIT	FORD, NISSAN
8329	HEAVY DUTY PUMP KIT	EATON
8330	GEAR SEAL KIT	FORD TRUCKS - LIGHT DUTY
8332	RACK & PINION KIT	MAZDA
8333	PUMP KIT	FORD, MERCURY
8334	RACK & PINION KIT	FORD TRUCK/VAN (LIGHT DUTY), MERCURY TRUCK
8335	RACK & PINION KIT	FORD TRUCK/VAN (LIGHT DUTY)
8336	RACK & PINION KIT	SUBARU
8339	GEAR SEAL KIT	TOYOTA
8340	RACK & PINION KIT	MITSUBISHI
8341	RACK & PINION KIT	DODGE, EAGLE, MITSUBISHI
8342	PUMP KIT	CHEVROLET, OLDSMOBILE, PONTIAC, SATURN
8343	PUMP KIT	MAZDA
8345	LOWER PITMAN KIT	FORD TRUCKS - LIGHT DUTY
8346	PUMP KIT	FORD, ISUZU, MAZDA
8347	RACK & PINION KIT	SUBARU
8348	RACK & PINION KIT	MAZDA
8349	RACK & PINION KIT	MAZDA
8350	RACK & PINION KIT	MAZDA
8351	RACK & PINION KIT	SUBARU
8353	RACK & PINION KIT	ACURA
8356	RACK & PINION KIT	CHRYSLER, DODGE, EAGLE, MITSUBISHI
8357	RACK & PINION KIT	MITSUBISHI
8358	RACK & PINION KIT	TOYOTA,

TransTec® No.	Application	Make
8360	PUMP KIT	FORD, HONDA, ISUZU, INFINITI, MAZDA, MERCURY TRUCK/VAN (LIGHT DUTY), NISSAN, NISSAN TRUCKS
8364	GEAR SEAL KIT	TOYOTA
8365	PUMP KIT	LEXUS
8365	PUMP KIT	TOYOTA
8366	GEAR SEAL KIT	DODGE TRUCK, MITSUBISHI TRUCK
8367	GEAR SEAL KIT	DODGE TRUCK, MITSUBISHI TRUCK
8368	PUMP KIT	FORD
8369	GEAR SEAL KIT	TOYOTA
8370	GEAR SEAL KIT	TOYOTA
8371	GEAR SEAL KIT	DODGE TRUCK, MITSUBISHI TRUCK
8372	GEAR SEAL KIT	TOYOTA
8373	RACK & PINION KIT	ACURA
8374	PUMP KIT	TOYOTA
8375	PUMP KIT	MAZDA
8376	PUMP KIT	INFINITI, MAZDA, NISSAN
8379	GEAR SEAL KIT	TOYOTA
8380	GEAR SEAL KIT	TOYOTA
8381	GEAR SEAL KIT	TOYOTA
8382	RACK & PINION KIT	FORD, MERCURY
8383	PUMP KIT	TOYOTA
8385	GEAR SEAL KIT	TOYOTA
8386	PUMP KIT	TOYOTA, TOYOTA TRUCK
8387	RACK & PINION KIT	HONDA, ISUZU
8388	PUMP KIT	LEXUS, TOYOTA TRUCK
8389	PUMP KIT	TOYOTA, TOYOTA TRUCK
8398	PUMP KIT	CHRYSLER, DODGE, EAGLE
8401	GEAR SEAL KIT	MITSUBISHI TRUCK
8402	PUMP KIT	MITSUBISHI TRUCK
8404	PUMP KIT	CHRYSLER, DODGE, EAGLE
8405	GEAR SEAL KIT	MITSUBISHI TRUCK
8406	PUMP KIT	MAZDA
8407	RACK & PINION KIT	ACURA, HONDA, ISUZU
8408	RACK & PINION KIT	LEXUS, TOYOTA, TOYOTA TRUCK/VAN
8409	GEAR SEAL KIT	NISSAN
8410	RACK & PINION KIT	MITSUBISHI
8411	RACK & PINION KIT	LEXUS
8412	RACK & PINION KIT	BUICK, CHEVROLET, OLDSMOBILE, PONTIAC
8413	GEAR SEAL KIT	LEXUS, TOYOTA
8414	RACK & PINION KIT	DODGE TRUCK/VAN
8415	RACK & PINION KIT	HONDA
8416	PUMP KIT	LEXUS, TOYOTA, TOYOTA TRUCK
8417	RACK & PINION KIT	EAGLE, MITSUBISHI TRUCK
8418	GEAR SEAL KIT	MITSUBISHI TRUCK
8419	GEAR SEAL KIT	MITSUBISHI TRUCK
8420	RACK & PINION KIT	FORD, MERCURY
8421	CONTROL VALVE SEAL KIT	FORD, FORD TRUCK (LIGHT DUTY), LINCOLN, MERCURY
8422	RACK & PINION KIT	INFINITI

TransTec® No.	Application	Make
8424	RACK & PINION KIT	FORD, LINCOLN, MERCURY
8425	RACK & PINION KIT	FORD, MERCURY
8426	RACK & PINION KIT	BUICK, CADILLAC, OLDSMOBILE, PONTIAC
8428	RACK & PINION KIT	MINI
8429	PUMP KIT	GEO, SUZUKI
8431	PUMP KIT	HYUNDAI, KIA, MAZDA, SUZUKI
8432	RACK & PINION KIT	NISSAN
8433	PUMP KIT	NISSAN
8434	RACK & PINION KIT	INFINITI, NISSAN
8436	RACK & PINION KIT	MERCURY
8438	RACK & PINION KIT	LEXUS
8439	RACK & PINION KIT	JAGUAR
8440	RACK & PINION KIT	JAGUAR
8441	RACK & PINION KIT	JAGUAR
8442	COMPLETE PITMAN KIT	FORD, FORD TRUCKS - LIGHT DUTY, LINCOLN, MERCURY
8443	LOWER PITMAN KIT	FORD, FORD TRUCKS - LIGHT DUTY, LINCOLN, MERCURY
8445	RACK & PINION KIT	SUZUKI
8446	RACK & PINION KIT	INFINITI, NISSAN
8447	RACK & PINION KIT	TOYOTA, TOYOTA TRUCK/VAN
8448	RACK & PINION KIT	FORD TRUCK/VAN (LIGHT DUTY), MAZDA
8449	RACK & PINION KIT	MERCURY
8450	PUMP KIT	INFINITI, NISSAN
8451	GEAR SEAL KIT	TOYOTA
8452	RACK & PINION KIT	TOYOTA
8453	RACK & PINION KIT	TOYOTA
8454	RACK & PINION KIT	GEO, TOYOTA
8455	RACK & PINION KIT	MAZDA
8456	RACK & PINION KIT	SATURN
8457	PUMP KIT	FORD, MERCURY
8458	RACK & PINION KIT	TOYOTA
8459	GEAR SEAL KIT	FORD, FORD TRUCKS - LIGHT DUTY, LINCOLN, MERCURY
8460	GEAR SEAL KIT	NISSAN
8461	GEAR SEAL KIT	ACURA, HONDA, ISUZU
8462	GEAR SEAL KIT	MAZDA
8463	RACK & PINION KIT	PORSCHE
8464	RACK & PINION KIT	MAZDA
8465	RACK & PINION KIT	MAZDA
8466	RACK & PINION KIT	AUDI, VOLKSWAGEN
8467	PUMP KIT	AUDI, BMW, PORSCHE
8468	RACK & PINION KIT	FORD
8469	PUMP KIT	AUDI
8470	RACK & PINION KIT	LEXUS
8473	RACK & PINION KIT	INFINITI, NISSAN
8474	RACK & PINION KIT	HYUNDAI
8475	RACK & PINION KIT	FORD, LINCOLN, MERCURY
8476	PUMP KIT	CADILLAC, CHEVROLET, JEEP, OLDSMOBILE, VOLVO
8477	PUMP KIT	HONDA, ISUZU, MAZDA

TransTec® No.	Application	Make
8478	GEAR SEAL KIT	ACURA, ISUZU
8479	RACK & PINION KIT	HONDA
8480	RACK & PINION KIT	DODGE
8481	RACK & PINION KIT	CHRYSLER
8482	RACK & PINION KIT	MAZDA
8483	RACK & PINION KIT	MERCEDES-BENZ
8484	GEAR SEAL KIT	DODGE, FORD TRUCKS - LIGHT DUTY
8485	RACK & PINION KIT	SUBARU
8486	RACK & PINION KIT	GEO
8487	PUMP KIT	LEXUS
8488	ADJ. PLUG SEAL KIT	CHEVROLET TRUCKS - LIGHT DUTY, DODGE TRUCK, GMC TRUCK, JEEP, OLDSMOBILE
8489	PUMP KIT	MAZDA, MITSUBISHI, SUZUKI
8490	RACK & PINION KIT	ROLLS ROYCE / BENTLY
8491	RACK & PINION KIT	ROLLS ROYCE / BENTLY
8492	RACK & PINION KIT	TOYOTA
8493	PUMP KIT	INFINITI
8494	RACK & PINION KIT	ACURA
8495	RACK & PINION KIT	ACURA
8496	PUMP KIT	ACURA, HONDA
8497	PUMP KIT	CADILLAC, OLDSMOBILE
8498	PUMP KIT	ACURA
8500	PUMP KIT	INFINITI, MAZDA, NISSAN
8501	RACK & PINION KIT	ACURA, HONDA
8502	COMPLETE PITMAN KIT	FORD TRUCKS - LIGHT DUTY
8504	LOWER PITMAN KIT	FORD TRUCKS - LIGHT DUTY
8506	RACK & PINION KIT	SAAB
8508	PUMP KIT	ISUZU
8509	RACK & PINION KIT	CHRYSLER, DODGE
8511	RACK & PINION KIT	MITSUBISHI
8512	PUMP KIT	SUBARU
8514	RACK & PINION KIT	BMW
8515	RACK & PINION KIT	FORD, MERCURY
8516	PUMP KIT	SUZUKI
8518	RACK & PINION KIT	BUICK, CHEVROLET, GMC, ISUZU, OLDSMOBILE
8519	RACK & PINION KIT	FORD, MERCURY
8520	RACK & PINION KIT	JAGUAR, LINCOLN
8521	RACK & PINION KIT	FORD
8523	RACK & PINION KIT	LINCOLN
8526	RACK & PINION KIT	SUBARU
8530	PUMP KIT	SUBARU
8531	PUMP KIT	GEO, INFINITI, NISSAN, SUBARU, SUZUKI
8532	RACK & PINION KIT	DODGE TRUCK
8533	RACK & PINION KIT	CHEVROLET, PONTIAC
8534	RACK & PINION KIT	AUDI, VOLKSWAGEN
8535	RACK & PINION KIT	AUDI
8538	RACK & PINION KIT	FORD, LINCOLN
8539	RACK & PINION KIT	LEXUS

TransTec® No.	Application	Make
8540	RACK & PINION KIT	LEXUS
8541	RACK & PINION KIT	FORD, MAZDA
8542	PUMP KIT	CADILLAC, LEXUS, TOYOTA
8544	RACK & PINION KIT	VOLVO
8545	RACK & PINION KIT	NISSAN
8547	PUMP KIT	OLDSMOBILE
8548	RACK & PINION KIT	HONDA
8549	RACK & PINION KIT	ACURA
8550	RACK & PINION KIT	ACURA, HONDA
8551	RACK & PINION KIT	PONTIAC, TOYOTA
8552	RACK & PINION KIT	SATURN
8553	RACK & PINION KIT	AUDI
8554	RACK & PINION KIT	AUDI
8556	RACK & PINION KIT	LEXUS, TOYOTA
8557	RACK & PINION KIT	MAZDA
8559	RACK & PINION KIT	JAGUAR
8560	RACK & PINION KIT	HONDA
8561	RACK & PINION KIT	NISSAN
8562	RACK & PINION KIT	MITSUBISHI
8575	PUMP KIT	DODGE
8577	RACK & PINION KIT	VW
8578	RACK & PINION KIT	GEO
8579	PUMP KIT	CHRYSLER, DODGE, MITSUBISHI, SUBARU
8582	RACK & PINION KIT	HYUNDAI, KIA
8584	RACK & PINION KIT	VOLVO
8585	RACK & PINION KIT	VOLVO
8586	RACK & PINION KIT	VOLVO
8600	RACK & PINION KIT	LEXUS, TOYOTA
8602	RACK & PINION KIT	LEXUS, TOYOTA
8603	RACK & PINION KIT	LEXUS, TOYOTA
8604	RACK & PINION KIT	TOYOTA
8606	RACK & PINION KIT	ACURA
8607	PUMP KIT	HONDA, ACURA
8608	RACK & PINION KIT	MAZDA
8611	PUMP KIT	HONDA
8612	RACK & PINION KIT	HYUNDAI
8614	PUMP KIT	HONDA
8615	RACK & PINION KIT	MAZDA
8616	PUMP KIT	ACURA, HONDA
8617	PUMP KIT	ACURA, HONDA
8626	RACK & PINION KIT	HYUNDAI
8627	RACK & PINION KIT	VOLVO
8628	RACK & PINION KIT	AUDI
8629	RACK & PINION KIT	MERCEDES
8630	PUMP KIT	CHEVROLET, GMC
8631	RACK & PINION KIT	VOLVO
8632	GEAR SEAL KIT	ISUZU

TransTec® No.	Application	Make
8633	RACK & PINION KIT	SUZUKI
8634	PUMP KIT	PONTIAC
8635	RACK & PINION KIT	FORD, LINCOLN
8636	RACK & PINION KIT	SUZUKI
8637	RACK & PINION KIT	TOYOTA
8638	RACK & PINION KIT	MINI
8639	RACK & PINION KIT	KIA
8640	PUMP KIT	MINI
8641	PUMP KIT	DODGE, TOYOTA
8642	RACK & PINION KIT	TOYOTA
8643	RACK & PINION KIT	MINI
8645	PUMP KIT	DODGE, JEEP, MINI
8646	RACK & PINION KIT	AUDI
8648	RACK & PINION KIT	DODGE
8649	RACK & PINION KIT	CHRYSLER
8650	PUMP KIT	DODGE, TOYOTA, CHRYSLER, LEXUS
8651	RACK & PINION KIT	DODGE
8652	RACK & PINION KIT	INFINITI, NISSAN
8653	RACK & PINION KIT	HONDA
8654	PUMP KIT	CHRYSLER
8656	PUMP KIT	SUBARU
8657	RACK & PINION KIT	VOLVO
8658	PUMP KIT	INFINITI
8670	RACK & PINION KIT	FORD
8671	GEAR SEAL KIT	JEEP
8672	PUMP KIT	INFINITI
8673	RACK & PINION KIT	DODGE
8674	RACK & PINION KIT	CHEVROLET
8675	GEAR SEAL KIT	FORD
8676	PUMP KIT	BUICK
8677	RACK & PINION KIT	JEEP
8678	RACK & PINION KIT	TOYOTA
8679	RACK & PINION KIT	TOYOTA
8680	RACK & PINION KIT	FORD, LINCOLN
8682	RACK & PINION KIT	LEXUS
8683	RACK & PINION KIT	NISSAN
8684	RACK & PINION KIT	MINI
8685	RACK & PINION KIT	CHEVROLET, GMC
8686	GEAR SEAL KIT	CHEVROLET, GMC
8687	RACK & PINION KIT	JEEP
8688	RACK & PINION KIT	FORD
8689	RACK & PINION KIT	KIA
8690	RACK & PINION KIT	KIA
8691	RACK & PINION KIT	DODGE
8692	RACK & PINION KIT	HONDA
8695	RACK & PINION KIT	CHEVROLET, PONTIAC, SATURN
8696	RACK & PINION KIT	INFINITI

TransTec® No.	Application	Make
8699	GEAR SEAL KIT	KIA
8700	RACK & PINION KIT	SUBARU
8701	RACK & PINION KIT	BMW
8702	RACK & PINION KIT	NISSAN
8703	HEAVY DUTY GEAR KIT	TRW
8704	RACK & PINION KIT	CADILLAC, CHEVROLET, GMC
8706	PUMP KIT	JEEP
8707	RACK & PINION KIT	MAZDA
8708	RACK & PINION KIT	HYUNDAI, KIA
8710	RACK & PINION KIT	MAZDA
8711	RACK & PINION KIT	SUBARU
8712	RACK & PINION KIT	BMW
8714	RACK & PINION KIT	NISSAN
8715	RACK & PINION KIT	SUBARU
8717	RACK & PINION KIT	CHRYSLER, DODGE
8718	RACK & PINION KIT	CADILLAC
8719	RACK & PINION KIT	HYUNDAI
8720	RACK & PINION KIT	CHRYSLER, DODGE
8721	RACK & PINION KIT	PONTIAC
8723	RACK & PINION KIT	HONDA
8724	PUMP KIT	FORD
8725	RACK & PINION KIT	SUZUKI
8726	RACK & PINION KIT	MINI
8727	RACK & PINION KIT	HONDA
8728	RACK & PINION KIT	KIA
8729	RACK & PINION KIT	HYUNDAI
8730	RACK & PINION KIT	CADILLAC
8731	RACK & PINION KIT	FORD, MERCURY
8732	RACK & PINION KIT	CHRYSLER, DODGE, VOLKSWAGON
8734	RACK & PINION KIT	FORD, MERCURY
8735	PUMP KIT	SUBARU
8737	RACK & PINION KIT	HONDA, ISUZU
8739	PUMP KIT	FORD
8740	PUMP KIT	KIA
8741	RACK & PINION KIT	DODGE, JEEP
8800	HEAVY DUTY GEAR KIT	TRW TAS
8806	HEAVY DUTY GEAR KIT	SHEPPARD
8810	HEAVY DUTY GEAR KIT	TRW/ROSS
8811	HEAVY DUTY GEAR KIT	TRW/ROSS
8812	HEAVY DUTY PUMP KIT	Z.F.
8813	HEAVY DUTY PUMP KIT	Z.F.
8814	HEAVY DUTY PUMP KIT	FORD TRUCK/VAN (LIGHT DUTY), Z.F.
8815	HEAVY DUTY PUMP KIT	Z.F.
8818	HEAVY DUTY GEAR KIT	SHEPPARD
8819	HEAVY DUTY PUMP KIT	LUK
8820	HEAVY DUTY PUMP KIT	Z.F.
8821	HEAVY DUTY GEAR KIT	SHEPPARD

TransTec® No.	Application	Make
8822	HEAVY DUTY GEAR KIT	SHEPPARD
8823	HEAVY DUTY GEAR KIT	SHEPPARD
8824	HEAVY DUTY GEAR KIT	SHEPPARD
8825	HEAVY DUTY GEAR KIT	SHEPPARD
8828	HEAVY DUTY PUMP KIT	TRW
8830	HEAVY DUTY GEAR KIT	Z.F.
8831	Heavy Duty Gear Kit	Z.F.
8832	Heavy Duty Pump Kit	Ford
8869	HEAVY DUTY GEAR KIT	THP60
8881	HEAVY DUTY GEAR KIT	THP45
8882	HEAVY DUTY GEAR KIT	ZF
8884	HEAVY DUTY GEAR KIT	SHEPPARD
8885	HEAVY DUTY GEAR KIT	SHEPPARD
8888	HEAVY DUTY GEAR KIT	TRW
8890	HEAVY DUTY GEAR KIT	TRW
8891	HEAVY DUTY RETAINING TAB KIT	SHEPPARD
8892	HEAVY DUTY GEAR KIT	TRW/ROSS
8893	HEAVY DUTY INPUT SHAFT SEAL KIT	TRW
8894	HEAVY DUTY GEAR KIT	TRW
8895	HEAVY DUTY INPUT SHAFT SEAL KIT	TRW
8896	HEAVY DUTY TRUNION SEAL KIT	TRW
8897	HEAVY DUTY GEAR KIT	TRW/ROSS
8898	HEAVY DUTY GEAR KIT	SHEPPARD
8899	HEAVY DUTY GEAR KIT	SHEPPARD
9954	RACK & PINION KIT	NISSAN
9955	RACK & PINION KIT	NISSAN
9964	RACK & PINION KIT	HOLDEN
9978	RACK & PINION KIT	CHEVROLET, OPEL, VAUXHALL
9979	RACK & PINION KIT	PEUGEOT
9980	RACK & PINION KIT	RENAULT
1549992	GEAR SEAL KIT	LANDROVER
15599845	RACK KIT ONLY	RENAULT
15599853	RACK & PINION VALVE KIT ONLY	CITROEN
15599856	RACK & PINION KIT	VOLKSWAGEN
15599861	RACK & PINION KIT	OPEL , VAUXHALL
15599866	RACK & PINION KIT	SEAT, VOLKSWAGON
15599875	RACK KIT ONLY	OPEL, RENAULT, VAUXHALL
15599877	RACK KIT ONLY	OPEL, RENAULT, VAUXHALL
15599879	RACK KIT ONLY	RENAULT
15599882	VALVE CARTRIDGE KIT ONLY	OPEL, RENAULT, VAUXHALL
15599883	RACK KIT ONLY	RENAULT
15599884	RACK KIT ONLY	RENAULT
15599893	RACK & PINION KIT	PEUGEOT
15599896	VALVE CARTRIDGE KIT ONLY	PEUGEOT
15599899	RACK & PINION KIT	NISSAN

TransTec® No.	Application	Make
15599905	RACK & PINION VALVE KIT ONLY	MERCEDES BENZ
15599911	RACK & PINION VALVE KIT ONLY	LANDROVER
15599924	RACK & PINION KIT	FORD, SEAT, VOLKSWAGON
15599926	RACK & PINION VALVE KIT ONLY	FORD, MAZDA
15599933	VALVE KIT	CITROEN
15599934	RACK & PINION KIT	CITROEN, FIAT, PEUGEOT
15599935	RACK & PINION KIT	IVECO, PEUGEOT
15599936	RACK & PINION KIT	IVECO
15599937	VALVE CARTRIDGE KIT ONLY	CITROEN, PEUGEOT
15599938	RACK & PINION VALVE KIT ONLY	CITROEN, PEUGEOT, RENAULT, VAUXHALL, OPEL
15599939	RACK & PINION VALVE KIT ONLY	BMW
15599950	RACK & PINION VALVE KIT ONLY	AUDI, SEAT, SKODA, VOLKSWAGON
15599951	RACK & PINION KIT	AUDI, SEAT, SKODA, VOLKSWAGON
57012K	RACK & PINION KIT	VW
57026K	RACK & PINION KIT	VOLKSWAGEN
57048K	RACK & PINION VALVE KIT ONLY	RENAULT
C9006	VALVE CARTRIDGE KIT ONLY	OPEL, VAUXHALL, RENAULT
C9007	VALVE CARTRIDGE KIT ONLY	CITROEN, PEUGEOT, RENAULT

TRANStec[®]

CORTECO

Division of Freudenberg-NOK
Milan, Ohio 44846 U.S.A.
Toll-Free +1 800-852-0340
Tel. +1 419-499-2502
Fax +1 419-499-6122
www.transtec.com

