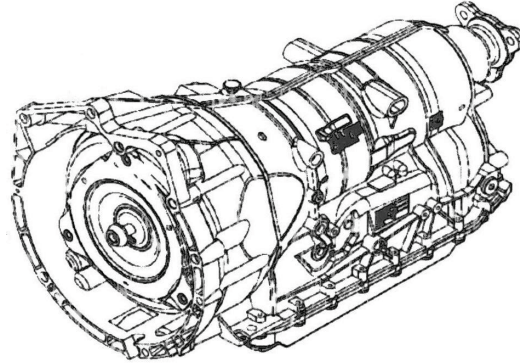


## New Product Announcement

### ZF6HP19/21



Corteco has released TransTec® overhaul kit **2573** which services the six-speed ZF6HP19/21/21X transmission.

This kit contains Gold Stripe® metal sealing rings combined with OE Teflon® and Torlon® sealing rings, premium metal oil seals produced by NOK along with viton clutch sealing components.

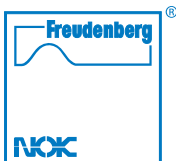
#### Featured Components

Description	TransTec® Number
Pan gasket-molded rubber	B33430
Oil seal - front (converter)	B37047
Oil seal - rear 2WD	B37048
Oil seal - adapter housing	B37050
Sealing ring kit	3554

#### The ZF6HP19/21 is found in the following models

AUDI		
Model	Years	Engine Type/Size
Q7	05-10	V6 3.6L
BMW		
1 Series	98-14	V4 1.6L, 2.0L V6 3.0L
3 Series	98-14	V4 1.6L, 2.0L V6 2.5L 3.0L
5 Series	98-12	V4 2.0L
5 Series	98-13	V6 2.2L, 2.5. 3.0L
6 Series	04-13	V6 3.0L
7 Series	07-12	V6 3.0L
X1	07-12	V4 2.0L
X3	06-13	V4 2.0L
X5	06-13	V6 3.0L
Z4	98-13	V6 2.5L, 3.0L
Z4 Coupe	06-13	V6 3.0L, 3.2L
HYUNDAI		
Genesis Coupe	08-13	V6 3.8L
JAGUAR		
S-Type	03-05	V6 2.5L
XF	07-12	V6 3.0L
XJ	03-09	V6 3.0L

**Kit 2573 and all featured components are in stock**



Gold Stripe is a registered trademark of Filtran LLC. Teflon is a registered trademark of DuPont. Torlon is a registered trademark of Solvay Advanced Polymers, L.L.C.



**A Division of Freudenberg-NOK**